



INSTRUCTION MANUAL IM-379

For Gas Turbine and Steam Turbine Tensioned Studs and Nuts

Applicable Bolting Connections –

7HA.02 Gas Turbine to GEN-H65 Generator
 7HA.02 Gas Turbine to GEN-H84 Generator
 7HA.02 Gas Turbine to H53 (Legacy 324) Generator
 7HA.02 Gas Turbine to Load Coupling
 7HA.02 FL18 Gas Turbine to W84 GEN or H84 GEN Generator
 7HA.02 FL18 Gas Turbine to Load Coupling
 Load Coupling to GEN-H65 Generator
 Load Coupling to GEN-H84 Generator
 Load Coupling to H53 (Legacy 324) Generator
 Load Coupling to W84 GEN or H84 GEN Generator

D600 Steam Turbine, HPIP to LP
 D600 Steam Turbine, LP to H65 GEN
 D602 Steam Turbine, LP to H53 GEN

7HA.03 Gas Turbine to H84 Generator
 7HA.03 Gas Turbine to Load Coupling
 Load Coupling to H84 Generator
 7HA.03 Gas Turbine to H65 Generator
 7HA.03 Gas Turbine to Load Coupling
 Load Coupling to H65 Generator

Applicable GE Ordering Sheet Part Numbers

116T6209P0001	121T1044P0006	128T2123P0005	132T0517P0009
116T6209P0002	121T1044P0007	128T2123P0006	132T0517P0010
116T6209P0003	121T1044P0008	128T2123P0007	
116T6209P0004	121T1044P0009		138T7456P0001
116T6209P0005	121T1044P0010	134T9605P0005	138T7456P0002
116T6209P0006	121T1044P0011	134T9605P0007	138T7456P0003
116T6209P0007	121T1044P0012	134T9605P0008	138T7456P0004
116T6209P0008	121T1044P0013	134T9605P0011	138T7456P0005
116T6209P0009	121T1044P0014		138T7456P0006
116T6209P0010	121T1044P0015	132T0517P0001	138T7456P0007
116T6209P0011	121T1044P0016	132T0517P0002	138T7456P0008
	121T1044P0017	132T0517P0003	138T7456P0009
121T1044P0001		132T0517P0004	138T7456P0010
121T1044P0002	128T2123P0001	132T0517P0005	
121T1044P0003	128T2123P0002	132T0517P0006	310T2393P0001
121T1044P0004	128T2123P0003	132T0517P0007	310T2393P0002
121T1044P0005	128T2123P0004	132T0517P0008	

CUSTOMER'S INFORMATION BOX

CONTENTS ARE INDEPENDENT OF RIVERHAWK DOCUMENT CONTROL

GE Power & Water		GENERAL ELECTRIC COMPANY	
<p><u>VENDOR SUPPLIED</u></p> <p>GE NOT TO REVISE. GE REVISION LEVEL IS SHOWN ON THIS APPLIQUE. THIS DOCUMENT IS FILED UNDER THE GE DRAWING NUMBER.</p> <p>THIS DOCUMENT SHALL BE REVISED IN ITS ENTIRETY. ALL SHEETS OF THIS DOCUMENT ARE THE SAME REVISION LEVEL AS INDICATED IN THIS VENDOR SUPPLIED DRAWING APPLIQUE.</p> <p>MLI: _____ OF _____</p>			
GE SIGNATURES		DATE	GE DRAWING NUMBER
CHECKED: _____		_____	REV
ISSUED: _____		<p align="center" style="font-size: 1.2em;">373A4092</p>	

The Riverhawk Company reserves the right to update this document without dissemination or notice. The latest revision may be obtained by contacting Riverhawk Company or thru www.riverhawk.com.



Repairs – Rentals
 Field Service

215 Clinton Road
 New Hartford, NY 13413
 Tel: +1 315 768 4855
 Fax: +1 315 768 4941
 Email: info@riverhawk.com

Table of Contents

Section	Description	Page Number
1.0	Cautions and Safety Warnings	3
2.0	Scope and GE Part Number Cross Reference	5
3.0	Quick Checklist	13
4.0	General Preparations	17
5.0	Hardware Set Preparations	19
6.0	Stud and Nut Assembly	22
7.0	Hydraulic Tensioner Equipment Assembly	27
8.0	Assembly of Tensioner on Stud	30
9.0	Stud Tensioning	36
10.0	Thread Locking and Windage Plug Installation	40
11.0	Stud and Nut Removal	43
12.0	Storage Instructions	48
13.0	Frequently Asked Questions	49
14.0	Revision History	51
Appendix A1	EC Declaration of Conformity	53
Appendix A2	UKCA Declaration of Conformity	54
Appendix B1	16-Bolt Tensioning Pattern Record Sheet	55
Appendix B2	18-Bolt Tensioning Pattern Record Sheet	56
Appendix B3	22-Bolt Tensioning Pattern Record Sheet	57

CUSTOMER'S INFORMATION BOX

CONTENTS ARE INDEPENDENT OF RIVERHAWK DOCUMENT CONTROL



215 Clinton Road
 New Hartford, NY 13413
 Tel: +1 315 768 4855
 Fax: +1 315 768 4941
 Email: info@riverhawk.com

GE DRAWING NUMBER	REV
373A4092	-

1.0 Cautions and Safety Warnings

WARNING

Improper tool use and the failure to follow the correct procedures are the primary root causes of tool failures and personal injuries. A lack of training or experience can lead to incorrect hardware installation or incorrect tool use. Only trained operators with careful, deliberate actions should use hydraulic tensioners. Contact Riverhawk Company with any training needs.

WARNING

Risk of high-pressure fluid injection. Riverhawk tools operate under high pressure. Thoroughly inspect all hoses and connections for damage or leaks prior to using this equipment.

CAUTION

Personal injury and equipment damage can occur if the proper health and safety codes and procedures are not followed. Contact the site's health and safety office to determine all applicable safety rules and regulations.

WARNING

The proper personal protective equipment must be worn at all times. Riverhawk recommends at a minimum, safety glasses, long sleeve shirt, hard hat, heavy work gloves, and steel toe shoes.

CAUTION

It is especially important to check the condition of the conical thread used to tension the stud. Thread damage from previous abuse can lead to failure of the stud or tensioning equipment

CAUTION

Riverhawk recommends that the tensioner should be returned to Riverhawk for periodic inspections. Replacement of obsolete tensioners is recommended. Functional upgrades are also recommended. The Riverhawk Service Returns Coordinator should be notified 3-6 months prior to a planned outage to schedule an inspection service.

WARNING

A damaged burst disc must be replaced with a burst disc of the same design and pressure rating. Do not substitute a damaged burst disc with a different disc type, a different pressure rating, or a foreign object.

CUSTOMER'S INFORMATION BOX

CONTENTS ARE INDEPENDENT OF RIVERHAWK DOCUMENT CONTROL

GE DRAWING NUMBER	REV
373A4092	-



215 Clinton Road
New Hartford, NY 13413
Tel: +1 315 768 4855
Fax: +1 315 768 4941
Email: info@riverhawk.com

Revision N
Page 3 of 57

WARNING

To avoid failure, ensure safety, and proper operation, the tensioner assembly must be installed on a stud in the flange before bleeding and pressurizing the tensioner. Do not use the tensioner at any pressure unless the tool is installed on a stud in a flange.

CAUTION

Personal injury and equipment damage can occur if the puller screw is not securely engaged with the tapered threads of the stud. Proper engagement is achieved when the puller screw is tight in the stud and the tensioner foot is free to turn.

WARNING

The safety interlock guard must be in place at all times. When the tensioner is pressurized hands must be kept out of designated areas to avoid any potential for personal injury.

CAUTION

Before threading the puller screw into the stud, carefully check the cleanliness of both the stud's and the puller screw's conical threads. Apply a light coat of clean turbine oil or a spray lubricant to the puller screw. This procedure will ease assembly and assure positive mating of the threads before tightening. Do not use "Never Seize" on the conical threads.

CAUTION

Do not tighten the nut while the tool is coming up to pressure; wait until pressure is achieved before attempting to tighten the nut with the spanner ring. If the tool is not properly installed, the tool could jump off the stud while coming up to pressure.

CAUTION

Do not exceed the maximum pressure marked on the tensioner. Excessive pressure can damage the stud and puller screw.

WARNING

FIRE HAZARD: DO NOT heat when tensioner assembly is in place. Personal injury or equipment damage may occur. Use of an Oxy-Acetylene torch is not recommended

WARNING

Do not use a hydraulic tensioner to remove a stud with damaged conical threads.

CUSTOMER'S INFORMATION BOX

CONTENTS ARE INDEPENDENT OF RIVERHAWK DOCUMENT CONTROL



215 Clinton Road
New Hartford, NY 13413
Tel: +1 315 768 4855
Fax: +1 315 768 4941
Email: info@riverhawk.com

GE DRAWING NUMBER	REV
373A4092	-

2.0 Scope and GE Part Number Cross Reference

This document describes the procedure to be used to install the stud, nut and windage plug sets supplied by the Riverhawk Company in the flanges at the Gas Turbine/Load Coupling, Load Coupling/Generator, and Load Coupling/Load Gear connections.

The various frame configurations covered in this manual are listed in Sections 2.1 through 2.16 with differences as related to connective hardware defined. Listed also are the pertinent hardware drawings (HF-xxxx). These drawings as well as tooling drawings (HT-xxxx) form part of this manual.

2.1 Frame 7HA.02 Gas Turbine to GEN-H65 Generator

GE Part Number	Riverhawk P/N	GE VENDOC P/N
116T6209P0001	HF-7058	GE 101B0654
116T6209P0002	HF-7058	GE 101B0654

These hardware drawings depict the stud and nut set for the Gas Turbine to Load Coupling (3" size, Qty 18) as well as the Load Coupling to GEN-H65 Generator (2-1/4" size, Qty 22). The hydraulic tooling used for installation and removal is Riverhawk HT-7130 for the gas turbine side of the load coupling and HT-7131 for the generator side of the load coupling.

GE Part Number	Riverhawk P/N	GE VENDOC P/N
116T6209P0008	HF-7803	GE 101B0703

This hardware drawing depicts the windage plug set for the Gas Turbine to Load Coupling (3" size, Qty 18) as well as the Load Coupling to GEN-H65 Generator (2-1/4" size, Qty 22).

GE Part Number	Riverhawk P/N	GE VENDOC P/N
116T6209P0009	HF-7804	GE 101B0704

This hardware drawing depicts the stud, nut, and windage plug set for the Gas Turbine to Load Coupling (3" size, Qty 18) as well as the Load Coupling to GEN-H65 Generator (2-1/4" size, Qty 22). The hydraulic tooling used for installation and removal is Riverhawk HT-7130 for the gas turbine side of the load coupling and HT-7131 for the generator side of the load coupling.

2.2 Frame 7HA.02 Gas Turbine to GEN-H84 Generator

GE Part Number	Riverhawk P/N	GE VENDOC P/N
121T1044P0001	HF-7460	GE 101B0678
121T1044P0002	HF-7460	GE 101B0678

CUSTOMER'S INFORMATION BOX

CONTENTS ARE INDEPENDENT OF RIVERHAWK DOCUMENT CONTROL



215 Clinton Road
 New Hartford, NY 13413
 Tel: +1 315 768 4855
 Fax: +1 315 768 4941
 Email: info@riverhawk.com

GE DRAWING NUMBER	REV
373A4092	-

These hardware drawings depict the stud and nut set for the Gas Turbine to Load Coupling (3" size, Qty 18) as well as the Load Coupling to GEN-H84 Generator (3" size, Qty 18). The hydraulic tooling used for installation and removal is Riverhawk HT-7130 for the gas turbine side of the load coupling and the generator side of the load coupling.

GE Part Number	Riverhawk P/N	GE VENDOC P/N
121T1044P0008	HF-7799	GE 101B0699

This hardware drawing depicts the windage plug set for the Gas Turbine to Load Coupling (3" size, Qty 18) as well as the Load Coupling to GEN-H84 Generator (3" size, Qty 18).

GE Part Number	Riverhawk P/N	GE VENDOC P/N
121T1044P0009	HF-7800	GE 101B0700

This hardware drawing depicts the stud, nut, and windage plug set for the Gas Turbine to Load Coupling (3" size, Qty 18) as well as the Load Coupling to GEN-H84 Generator (3" size, Qty 18). The hydraulic tooling used for installation and removal is Riverhawk HT-7130 for the gas turbine side of the load coupling and the generator side of the load coupling.

2.3 Frame 7HA.02 Gas Turbine to H53 (Legacy 324) Generator

GE Part Number	Riverhawk P/N	GE VENDOC P/N
128T2123P0001	HF-8069	GE 101B0730

This hardware drawing depicts the stud, nut, and windage plug set for the Gas Turbine to Load Coupling (3" size, Qty 18) as well as the Load Coupling to H53 Generator (2-3/4" size, Qty 16). The hydraulic tooling used for installation and removal is Riverhawk HT-7130 for the gas turbine side of the load coupling and HT-9974 (formerly HT-8194) for the generator side of the load coupling.

GE Part Number	Riverhawk P/N	GE VENDOC P/N
128T2123P0007	HF-8485	GE 101B0733

This hardware drawing depicts the windage plug set for the Gas Turbine to Load Coupling (3" size, Qty 18) as well as the Load Coupling to H53 Generator (2-3/4" size, Qty 16).

2.4 Frame 7HA.02 FL18 Gas Turbine to GEN-W84 or GEN-H84 Generator

GE Part Number	Riverhawk P/N	GE VENDOC P/N
121T1044P0012	HF-8761	GE 101B0760

CUSTOMER'S INFORMATION BOX

CONTENTS ARE INDEPENDENT OF RIVERHAWK DOCUMENT CONTROL



215 Clinton Road
 New Hartford, NY 13413
 Tel: +1 315 768 4855
 Fax: +1 315 768 4941
 Email: info@riverhawk.com

GE DRAWING NUMBER	REV
373A4092	-

This hardware drawing depicts the stud, nut, and windage plug set for the Gas Turbine to Load Coupling (3" size, Qty 18) as well as the Load Coupling to GEN-W84 Generator (3" size, Qty 18). The hydraulic tooling used for installation and removal is Riverhawk HT-7130 for the gas turbine side of the load coupling and the generator side of the load coupling.

2.5 Frame 7HA.02 Gas Turbine to Load Coupling

GE Part Number	Riverhawk P/N	GE VENDOC P/N
116T6209P0004	HF-7182	GE 101B0659
121T1044P0004	HF-7497	GE 101B0679

These hardware drawings depict the stud and nut set for the Gas Turbine to Load Coupling (3" size, Qty 18). The hydraulic tooling used for installation and removal is Riverhawk HT-7130.

GE Part Number	Riverhawk P/N	GE VENDOC P/N
116T6209P0010	HF-7805	GE 101B0705
121T1044P0010	HF-7801	GE 101B0701
128T2123P0003	HF-8180	GE 101B0731

These hardware drawings depict the stud, nut, and windage plug set for the Gas Turbine to Load Coupling (3" size, Qty 18). The hydraulic tooling used for installation and removal is Riverhawk HT-7130.

2.6 Frame 7HA.02 FL18 Gas Turbine to Load Coupling

GE Part Number	Riverhawk P/N	GE VENDOC P/N
121T1044P0014	HF-8762	GE 101B0761

This hardware drawing depicts the stud, nut, and windage plug set for the Gas Turbine to Load Coupling (3" size, Qty 18). The hydraulic tooling used for installation and removal is Riverhawk HT-7130.

2.7 Load Coupling to GEN-H65 Generator

GE Part Number	Riverhawk P/N	GE VENDOC P/N
116T6209P0005	HF-7183	GE 101B0660
138T7456P0006	HF-9478	GE 101B0790

CUSTOMER'S INFORMATION BOX

CONTENTS ARE INDEPENDENT OF RIVERHAWK DOCUMENT CONTROL



215 Clinton Road
 New Hartford, NY 13413
 Tel: +1 315 768 4855
 Fax: +1 315 768 4941
 Email: info@riverhawk.com

GE DRAWING NUMBER	REV
373A4092	-

This hardware drawing depicts the stud and nut set for the Load Coupling to GEN-H65 Generator (2-1/4" size, Qty 22). The hydraulic tooling used for installation and removal is Riverhawk HT-7131.

GE Part Number	Riverhawk P/N	GE VENDOC P/N
116T6209P0011	HF-7806	GE 101B0706
138T7456P0010	HF-9482	GE 101B0794

This hardware drawing depicts the stud, nut, and windage plug set for the Load Coupling to GEN-H65 Generator (2-1/4" size, Qty 22). The hydraulic tooling used for installation and removal is Riverhawk HT-7131.

2.8 Load Coupling to GEN-H84 Generator

GE Part Number	Riverhawk P/N	GE VENDOC P/N
121T1044P0005	HF-7498	GE 101B0680
132T0517P0006	HF-8811	GE 101B0780

These hardware drawings depict the stud and nut set for the Load Coupling to GEN-H84 Generator (3" size, Qty 18). The hydraulic tooling used for installation and removal is Riverhawk HT-7130.

GE Part Number	Riverhawk P/N	GE VENDOC P/N
121T1044P0011	HF-7802	GE 101B0702
132T0517P0010	HF-8815	GE 101B0784

These hardware drawings depict the stud, nut, and windage plug set for the Load Coupling to GEN-H84 Generator (3" size, Qty 18). The hydraulic tooling used for installation and removal is Riverhawk HT-7130.

2.9 Load Coupling to H53 (Legacy 324) Generator

GE Part Number	Riverhawk P/N	GE VENDOC P/N
128T2123P0004	HF-8181	GE 101B0732

This hardware drawing depicts the stud, nut, and windage plug set for the Load Coupling to H53 Generator (2-3/4" size, Qty 16). The hydraulic tooling used for installation and removal is Riverhawk HT-9974 (formerly HT-8194) for the generator side of the load coupling.

CUSTOMER'S INFORMATION BOX

CONTENTS ARE INDEPENDENT OF RIVERHAWK DOCUMENT CONTROL



215 Clinton Road
 New Hartford, NY 13413
 Tel: +1 315 768 4855
 Fax: +1 315 768 4941
 Email: info@riverhawk.com

GE DRAWING NUMBER	REV
373A4092	-

2.10 Load Coupling to GEN-W84 or GEN-H84 Generator

GE Part Number	Riverhawk P/N	GE VENDOC P/N
121T1044P0015	HF-8763	GE 101B0762

This hardware drawing depicts the stud, nut, and windage plug set for the Load Coupling to GEN-W84 or GEN-H84 Generator (3" size, Qty 18). The hydraulic tooling used for installation and removal is Riverhawk HT-7130.

2.11 D600 Steam Turbine, HPIP Rotor to LP Rotor or LP Rotor to H65 Generator Rotor

GE Part Number	Riverhawk P/N	GE VENDOC P/N
134T9605P0005	HF-9106	GE 101B0775

This hardware drawing depicts the stud and nut set for the HPIP Rotor to LP Rotor or LP Rotor to H65 Generator Rotor (2-1/4" size, Qty 22). The hydraulic tooling used for installation and removal is Riverhawk HT-7131.

GE Part Number	Riverhawk P/N	GE VENDOC P/N
134T9605P0008	HF-9107	GE 101B0776

This hardware drawing depicts the windage plug set for the HPIP Rotor to LP Rotor or LP Rotor to H65 Generator Rotor (2-1/4" size, Qty 22).

GE Part Number	Riverhawk P/N	GE VENDOC P/N
134T9605P0011	HF-9108	GE 101B0777

This hardware drawing depicts the stud, nut, and windage plug set for the HPIP Rotor to LP Rotor or LP Rotor to H65 Generator Rotor (2-1/4" size, Qty 22). The hydraulic tooling used for installation and removal is Riverhawk HT-7131.

2.12 D602 Steam Turbine, LP Rotor to H53 (Legacy 324) Generator Rotor

GE Part Number	Riverhawk P/N	GE VENDOC P/N
310T2393P0001	HF-10495	GE 101B0818
310T2393P0002	HF-10495	GE 101B0818

This hardware drawing depicts the stud, nut, and windage plug set for the D602 Steam Turbine LP Rotor to H53 Generator (2-3/4" size, Qty 16). The hydraulic tooling used for installation and removal is Riverhawk HT-9974.

CUSTOMER'S INFORMATION BOX

CONTENTS ARE INDEPENDENT OF RIVERHAWK DOCUMENT CONTROL



215 Clinton Road
 New Hartford, NY 13413
 Tel: +1 315 768 4855
 Fax: +1 315 768 4941
 Email: info@riverhawk.com

GE DRAWING NUMBER	REV
373A4092	-

2.13 Frame 7HA.03 Gas Turbine to H84 Generator

GE Part Number	Riverhawk P/N	GE VENDOC P/N
132T0517P0001	HF-8809	GE 101B0778

This hardware drawing depicts the stud and nut set for the Gas Turbine to Load Coupling (3" size, Qty 18) as well as the Load Coupling to H84 Generator (3" size, Qty 18). The hydraulic tooling used for installation and removal is Riverhawk HT-7130 for the gas turbine side of the load coupling and for the generator side of the load coupling.

GE Part Number	Riverhawk P/N	GE VENDOC P/N
132T0517P0007	HF-8812	GE 101B0781

This hardware drawing depicts the windage plug set for the Gas Turbine to Load Coupling (3" size, Qty 18) as well as the Load Coupling to H84 Generator (3" size, Qty 18).

GE Part Number	Riverhawk P/N	GE VENDOC P/N
132T0517P0008	HF-8813	GE 101B0782

This hardware drawing depicts the stud, nut, and windage plug set for the Gas Turbine to Load Coupling (3" size, Qty 18) as well as the Load Coupling to H84 Generator (3" size, Qty 18). The hydraulic tooling used for installation and removal is Riverhawk HT-7130 for the gas turbine side of the load coupling and for the generator side of the load coupling.

2.14 Frame 7HA.03 Gas Turbine to Load Coupling

GE Part Number	Riverhawk P/N	GE VENDOC P/N
132T0517P0005	HF-8810	GE 101B0779
138T7456P0005	HF-9477	GE 101B0789

This hardware drawing depicts the stud and nut set for the Gas Turbine to Load Coupling (3" size, Qty 18). The hydraulic tooling used for installation and removal is Riverhawk HT-7130.

GE Part Number	Riverhawk P/N	GE VENDOC P/N
132T0517P0009	HF-8814	GE 101B0783
138T7456P0009	HF-9481	GE 101B0793

This hardware drawing depicts the stud, nut, and windage plug set for the Gas Turbine to Load Coupling (3" size, Qty 18). The hydraulic tooling used for installation and removal is Riverhawk HT-7130.

CUSTOMER'S INFORMATION BOX

CONTENTS ARE INDEPENDENT OF RIVERHAWK DOCUMENT CONTROL



215 Clinton Road
 New Hartford, NY 13413
 Tel: +1 315 768 4855
 Fax: +1 315 768 4941
 Email: info@riverhawk.com

GE DRAWING NUMBER	REV
373A4092	-

2.15 Frame 7HA.03 Gas Turbine to H65 Generator

GE Part Number	Riverhawk P/N	GE VENDOC P/N
138T7456P0001	HF-9476	GE 101B0788

This hardware drawing depicts the stud and nut set for the Gas Turbine to Load Coupling (3" size, Qty 18) as well as the Load Coupling to H65 Generator (2-1/4" size, Qty 22). The hydraulic tooling used for installation and removal is Riverhawk HT-7130 for the gas turbine side of the load coupling and Riverhawk HT-7131 for the generator side of the load coupling.

GE Part Number	Riverhawk P/N	GE VENDOC P/N
138T7456P0007	HF-9479	GE 101B0791

This hardware drawing depicts the windage plug set for the Gas Turbine to Load Coupling (3" size, Qty 18) as well as the Load Coupling to H65 Generator (2-1/4" size, Qty 22).

GE Part Number	Riverhawk P/N	GE VENDOC P/N
138T7456P0008	HF-9480	GE 101B0792

This hardware drawing depicts the stud, nut, and windage plug set for the Gas Turbine to Load Coupling (3" size, Qty 18) as well as the Load Coupling to H65 Generator (2-1/4" size, Qty 22). The hydraulic tooling used for installation and removal is Riverhawk HT-7130 for the gas turbine side of the load coupling and Riverhawk HT-7131 for the generator side of the load coupling.

2.16 Hydraulic Tooling

GE Part Number	Riverhawk P/N	GE VENDOC P/N
116T6209P0003	HT-7130	GE 101B0657
	HT-7131	GE 101B0658
	AP-6048	GE 269B8768
116T6209P0006	HT-7130	GE 101B0657
	AP-6048	GE 269B8768
116T6209P0007	HT-7131	GE 101B0658
	AP-6048	GE 269B8768
121T1044P0003	HT-7130	GE 101B0657
	AP-6048	GE 269B8768
121T1044P0006	HT-7130	GE 101B0657
	AP-6048	GE 269B8768

CUSTOMER'S INFORMATION BOX

CONTENTS ARE INDEPENDENT OF RIVERHAWK DOCUMENT CONTROL



215 Clinton Road
 New Hartford, NY 13413
 Tel: +1 315 768 4855
 Fax: +1 315 768 4941
 Email: info@riverhawk.com

GE DRAWING NUMBER	REV
373A4092	-

Instruction Manual IM-379

121T1044P0007	HT-7130 AP-6048	GE 101B0657 GE 269B8768
121T1044P0013	HT-7130 AP-6048	GE 101B0657 GE 269B8768
121T1044P0016	HT-7130 AP-6048	GE 101B0657 GE 269B8768
121T1044P0017	HT-7130 AP-6048	GE 101B0657 GE 269B8768
128T2123P0005	HT-7130 AP-6048	GE 101B0657 GE 269B8768
128T2123P0006	HT-9974 AP-6048	GE 101B0808 GE 269B8768
134T9605P0007	HT-7131 AP-6048	GE 101B0658 GE 269B8768
132T0517P0002	HT-7130 AP-6048	GE 101B0657 GE 269B8768
132T0517P0003	HT-7130 AP-6048	GE 101B0657 GE 269B8768
132T0517P0004	HT-7130 AP-6048	GE 101B0657 GE 269B8768
138T7456P0002	HT-7130 HT-7131 AP-6048	GE 101B0657 GE 101B0658 GE 269B8768
138T7456P0003	HT-7130 AP-6048	GE 101B0657 GE 269B8768
138T7456P0004	HT-7131 AP-6048	GE 101B0658 GE 269B8768
310T2393P0002	HT-9974 AP-6048	GE 101B0808 GE 269B8768

CUSTOMER'S INFORMATION BOX

CONTENTS ARE INDEPENDENT OF RIVERHAWK DOCUMENT CONTROL



215 Clinton Road
New Hartford, NY 13413
Tel: +1 315 768 4855
Fax: +1 315 768 4941
Email: info@riverhawk.com

GE DRAWING NUMBER	REV
373A4092	-

3.0 Quick Checklist

The following checklist is intended as a summary of the steps needed to use the Riverhawk-supplied equipment. New personnel or those experienced personnel who have not used the Riverhawk equipment recently are encouraged to read the entire manual.

EQUIPMENT INSPECTION

- Check oil level in hydraulic pump.
- Check air pressure at 90psi [6.2 bar] minimum. (For air-driven pumps)
- Check hydraulic hose for damage.
- Test pump.
- Inspect tensioner for any damage.

NUT AND STUD PREPARATION

- Inspect studs, nuts, and windage plugs (if included in the hardware set) for any damage.
- Clean the studs, nuts, and windage plugs.
- Measure and record stud lengths. (VERY IMPORTANT)
- Lubricate the stud's threads with clean turbine oil or spray lubricant. Lubricate the nut's threads and nut face with clean turbine oil or spray lubricant.
- Install studs and nuts into the flange
- For gas turbine installations, set stick-out dimension on the load coupling side of the flange. For steam turbine installations, set stick-out dimension on the driving turbine side of the flange.
- With Allen wrench in backside of stud to prevent stud rotation, firmly seat backside nut using spanner ring and pin wrench.
- Verify stick-out measurement (VERY IMPORTANT)

CUSTOMER'S INFORMATION BOX

CONTENTS ARE INDEPENDENT OF RIVERHAWK DOCUMENT CONTROL

GE DRAWING NUMBER	REV
373A4092	-



215 Clinton Road
 New Hartford, NY 13413
 Tel: +1 315 768 4855
 Fax: +1 315 768 4941
 Email: info@riverhawk.com

TENSIONING (Bolt Installation)

- Check tensioner drawing for correct parts and part numbers.
- Apply a light coat of clean turbine oil or spray lubricant to the puller screw. **DO NOT USE “NEVER SEIZE” ON THE CONICAL THREADS.**
- Install the spanner ring onto the nut. (For the gas turbine end’s bottom positions, where piping permits, use the spur gear spanner ring)
- Install a puller screw release tape strip into stud. See IM-336 (GE VENDOCS 373A4074)
- Thread the puller screw into the stud.
- Insert an Allen wrench into the back side of the stud.
- Insert another Allen wrench into the puller screw. While holding the stud still, tighten the puller screw until hand tight and then loosen the puller screw 1/2 of a turn.
- Retighten the puller screw and leave hand tight. **DO NOT BACK OFF PULLER SCREW.**
- For the gas turbine end’s bottom positions, where piping permits, slide rack wrench over locating pins of the foot and orientate rack wrench as needed for rotation of the spur gear spanner.
- Slide the foot assembly over the puller screw and orientate the foot into position. (For the gas turbine end’s bottom positions, where piping permits, engage rack wrench with spur gear spanner)
- Thread the tensioner onto puller screw until it stops. There should be a 1/16” to 3/16” gap between the foot and tensioner.
- Place the guard over the tensioner and position guide pin into the hole in the backside of the stud.
- Tighten the guard’s knurled interlock fitting by hand until it presses firmly against tensioner (no gap).
- Push the center of the interlock fitting towards the tensioner while pulling back on the fitting’s pull tabs until it locks onto the tensioner and release the pull tabs.

CUSTOMER'S INFORMATION BOX

CONTENTS ARE INDEPENDENT OF RIVERHAWK DOCUMENT CONTROL



215 Clinton Road
 New Hartford, NY 13413
 Tel: +1 315 768 4855
 Fax: +1 315 768 4941
 Email: info@riverhawk.com

GE DRAWING NUMBER	REV
373A4092	-

- Connect the hydraulic pump to the tensioner and tension to 50%. Consult manual for correct pressure.
- Use the pin wrench to turn the spanner ring to firmly tighten nut with 10 ft·lbs [14 N·m] of torque. (For the gas turbine end's bottom positions, where piping permits, use rack wrench to firmly tighten the nut)
- Release pressure and allow the tensioner to fully retract.
- Disconnect the hose and release the interlock fitting by pushing the center of the interlock fitting towards the tensioner while pulling back on the fitting's pull tabs.
- Loosen the knurled interlock fitting and remove the guard.
- Unscrew the tensioner from the puller screw.
- Remove the foot, puller screw and spanner ring.
- Move to the next stud in the pattern. Tension all studs to 50% before proceeding to final pressure.
- Repeat above steps at final pressure.
- Measure final stud length and record on stretch datasheets. Calculate final stretch measurement.
- Torque the nuts' set screws.
- Install the windage plugs (if included in the hardware set) and torque their set screws.

DETENSIONING (Stud Removal)

- If present, loosen the windage plugs' set screws and remove the windage plugs from the studs.
- Loosen nuts' set screws

CUSTOMER'S INFORMATION BOX

CONTENTS ARE INDEPENDENT OF RIVERHAWK DOCUMENT CONTROL

GE DRAWING NUMBER	REV
373A4092	-



215 Clinton Road
New Hartford, NY 13413
Tel: +1 315 768 4855
Fax: +1 315 768 4941
Email: info@riverhawk.com

- Inspect and clean studs' conical threads. **Do not continue until ALL debris is removed from the threads!** See instruction manual IM-220. **Do not try to use the tensioner to remove a damaged stud!**
- Apply a light coat of clean turbine oil or spray lubricant to the puller screw. **DO NOT USE "NEVER SEIZE" ON THE CONICAL THREADS.**
- Install the spanner ring onto the nut. (For the gas turbine end's bottom positions, where piping permits, where piping permits, use the spur gear spanner ring)
- Thread the puller screw into the stud.
- Insert an Allen wrench into the puller screw. Tighten the puller screw until hand tight and then loosen the puller screw 1/2 of a turn.
- Retighten the puller screw and leave hand tight. **DO NOT BACK OFF PULLER SCREW.**
- For the gas turbine end's bottom positions, where piping permits, slide rack wrench over locating pins of the foot and orientate rack wrench as needed for rotation of the spur gear spanner.
- Slide the foot assembly over the puller stud and orientate the foot into position. (For the gas turbine end's bottom positions, where piping permits, engage rack wrench with spur gear spanner)
- Thread the tensioner onto puller screw until it stops. There should be a 1/16" to 3/16" gap between the foot and tensioner.
- Place the guard over the tensioner and position guide pin into the hole in the backside of the stud.
- Tighten the guard's knurled interlock fitting by hand until it presses firmly against tensioner (no gap).
- Push the center of the interlock fitting towards the tensioner while pulling back on the fitting's pull tabs until it locks onto the tensioner and release the pull tabs.
- Connect the hydraulic pump to the tensioner and tension to final pressure. Consult manual for correct pressure.
- Loosen nut with the spanner ring and pin wrench. (For the gas turbine end's bottom positions, where piping permits use rack wrench to fully loosen the nut)

CUSTOMER'S INFORMATION BOX

CONTENTS ARE INDEPENDENT OF RIVERHAWK DOCUMENT CONTROL



215 Clinton Road
 New Hartford, NY 13413
 Tel: +1 315 768 4855
 Fax: +1 315 768 4941
 Email: info@riverhawk.com

GE DRAWING NUMBER	REV
373A4092	-

- Release pressure and allow the tensioner to fully retract.
- Disconnect the hose and release the interlock fitting by pushing the center of the interlock fitting towards the tensioner while pulling back on the fitting's pull tabs.
- Loosen the knurled interlock fitting and remove the guard.
- Unscrew the tensioner from the puller screw.
- Remove the foot, puller screw, and spanner ring. It may be necessary to insert an Allen wrench into the backside of the stud to remove the puller screw.
- Move to next stud in pattern

4.0 General Preparations

Read and understand all instructions before installing and tensioning studs.

Operators should be trained or have previous experience using Riverhawk tensioning equipment. Training will minimize the chance of improper use of the equipment.

The hydraulic tooling including the hydraulic hoses should be inspected prior to use. Inspection guidelines are listed in the following sub-sections.

This equipment produces very high hydraulic pressures and very high forces. Operators must exercise caution and wear the appropriate personal protective equipment when handling and operating the hydraulic tooling.

High-pressure oil from the hydraulic pump pressurizes the tensioner which generates a very large force that actually stretches the stud. As the stud is stretched the nut lifts off the flange. The nut is then turned by hand using the supplied spanner ring. Once the nut is tight against the flange, the pressure in the tensioner is released. The hardware is now clamping the flange together.

4.1 Machine Preparation

The flange to be tensioned must be fully closed prior to positioning of studs in the flanges. Turning the turbine shafts is not required, but may be useful. Also, it will be advantageous to

CUSTOMER'S INFORMATION BOX

CONTENTS ARE INDEPENDENT OF RIVERHAWK DOCUMENT CONTROL

GE DRAWING NUMBER	REV
373A4092	-



215 Clinton Road
New Hartford, NY 13413
Tel: +1 315 768 4855
Fax: +1 315 768 4941
Email: info@riverhawk.com

remove as many obstructions as possible from the flange area, such as speed probes, shipping plates, and conduit.

4.2 Hardware – Balance

The studs are supplied in component balanced sets. A stud can be exchanged with another stud in its set without affected the overall balance of the equipment. Do not exchange a stud from one set with another stud from a different set. When shipped from Riverhawk, the studs are not assigned to any specific hole in the load coupling flange; this is optional and can be done at the installation site. The set size is determined by the relevant GE order drawing (see section 2.0).

The nuts are supplied in component balanced sets. A nut can be exchanged with another nut in its set without affecting the overall balance of the equipment. Do not exchange a nut from one set with another nut from a different set. When shipped from Riverhawk, the nuts are not assigned to any specific hole in the load coupling flange; this is optional and can be done at the installation site. The set size is determined by the relevant GE order drawing (see section 2.0).

The windage plugs are supplied in component balanced sets. A windage plug can be exchanged with another windage plug in its set without affecting the overall balance of the equipment. Do not exchange a windage plug from one set with another windage plug from a different set. When shipped from Riverhawk, the windage plugs are not assigned to any specific hole in the load coupling flange; this is optional and can be done at the installation site. Windage plugs are included, and its set size is determined, by the relevant GE order drawing (see section 2.0).

A weight balance certification is supplied with each order. Store this certification in an appropriate location as it will be needed for the purchase of replacement equipment.

4.3 Tensioner – Care and Handling

When not in use, the tensioner shall be maintained in a clean environment and all caps and plugs for hydraulic openings and fittings must be in place.

Use ISO 32 grade hydraulic oil.

When in use, the tensioner shall be protected from sand and grit.

See section 12 for long term storage requirements.

CUSTOMER'S INFORMATION BOX

CONTENTS ARE INDEPENDENT OF RIVERHAWK DOCUMENT CONTROL

GE DRAWING NUMBER	REV
373A4092	-



215 Clinton Road
New Hartford, NY 13413
Tel: +1 315 768 4855
Fax: +1 315 768 4941
Email: info@riverhawk.com

4.4 Hand Tools

Several hand wrenches and micrometers may be required to perform installation and measurement of the studs:

5/8" Wrench	A set of Allen Wrenches
3/4" Wrench	3' to 4' Breaker Bar
13/16" Wrench	10" to 11" Micrometer or Caliper
12" to 13" Micrometer or Caliper	

4.5 Special Tools

Hydraulic Tensioner Kit:	HT-7130 Hydraulic Tensioner, 3" (reference GE VENDOC 101B0657)
	HT-7131 Hydraulic Tensioner, 2-1/4" (reference GE VENDOC 101B0658)
	HT-9974 Hydraulic Tensioner, 2-3/4" (reference GE VENDOC 101B0808)
	HT-8194 Hydraulic Tensioner, 2-3/4" Superseded by HT-9744 (reference GE VENDOC 101B0734)
Hydraulic Pump Kit:	AP-6048 Air-Operated Hydraulic Pump (reference GE VENDOC 269B8768)

CAUTION

Riverhawk recommends that the tensioners be returned to Riverhawk for periodic inspections. Replacement of obsolete tensioners is recommended. Functional upgrades are also recommended. The Riverhawk Service Returns Coordinator should be notified 3-6 months prior to a planned outage to schedule an inspection service.

5.0 Hardware Set Preparations

5.1 Nut Preparation

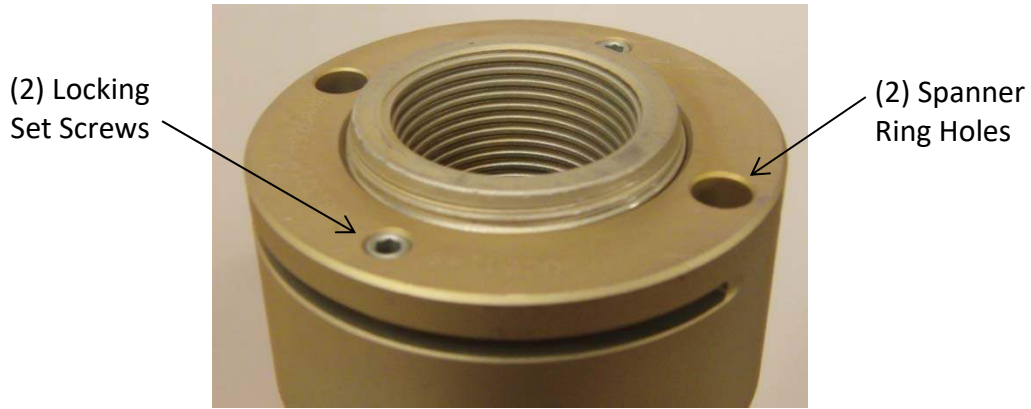
CUSTOMER'S INFORMATION BOX

CONTENTS ARE INDEPENDENT OF RIVERHAWK DOCUMENT CONTROL

GE DRAWING NUMBER	REV
373A4092	-



215 Clinton Road
New Hartford, NY 13413
Tel: +1 315 768 4855
Fax: +1 315 768 4941
Email: info@riverhawk.com



Picture 5A - Riverhawk Locknut

If there is any visible damage on a nut, do not use the part and contact the Riverhawk Company for a replacement part. Please be prepared to supply the turbine number, weight certification, and digital photographs for evaluation.

5.1.1 Nut Cleaning - New Installations

For new installations, the nuts should come sealed from the factory and will need no cleaning.

5.1.2 Nut Cleaning - Old Installations

Previously installed nuts require cleaning as follows: Wire brush using a petroleum-based solvent to remove any foreign material on the threads. Clean mating faces with a petroleum-based solvent to remove any foreign material.

5.2 Stud Preparation

Check the stud for any visible damage. If there is any visible damage, do not use the stud and contact the Riverhawk Company for a replacement stud. Please be prepared to supply the turbine number, weight certification, and digital photographs for evaluation.

CAUTION

It is especially important to check the condition of the conical thread used to tension the stud. Thread damage from previous abuse can lead to failure of the stud or tensioning equipment.

The conical threads of each stud must be clean of grit and dirt before installation or removal. This ensures the proper seating of the puller screw.

CUSTOMER'S INFORMATION BOX

CONTENTS ARE INDEPENDENT OF RIVERHAWK DOCUMENT CONTROL

GE DRAWING NUMBER	REV
373A4092	-



215 Clinton Road
 New Hartford, NY 13413
 Tel: +1 315 768 4855
 Fax: +1 315 768 4941
 Email: info@riverhawk.com

5.2.1 Stud Cleaning - New Installations

For new installations, the studs should come sealed from the factory and will need no cleaning.

5.2.2 Stud Cleaning - Old Installations

Previously installed studs may require cleaning. Clean internal conical threads should have a bright and shiny appearance.

If cleaning is required, follow these steps:

1. Blow out the threads with compressed air to remove loose debris and dry conical threads. Do not apply a solvent or other cleaning solution to the threads as this may chemically attack the stud.
2. Use Stud Cleaning Kit, GT-4253 or a similar 1" diameter Brass power brush.



Picture 5B - Brass Power Brush

3. Insert the brush into an electric drill and set drill to run in a counterclockwise direction at high speed.
4. Work the drill in a circular motion while moving the brush in and out to clean all of the threads. Try not to hold the brush in one place too long, so as not to remove the stud's protective coating.
5. Blow out the threads with compressed air to remove loosened debris.
6. Visually inspect threads for cleanliness. Threads should be bright and shiny.
7. Repeat if any dirt can be seen in the threads.
8. Verify threads are clean by using a dental pick to lightly scrape the root of the thread. If additional material comes loose, repeat cleaning process.
9. Inspect threads for any damage that may have been caused by previous installation.
10. Do **not** apply "Never Seize" to the stud's threads.

CUSTOMER'S INFORMATION BOX

CONTENTS ARE INDEPENDENT OF RIVERHAWK DOCUMENT CONTROL

GE DRAWING NUMBER	REV
373A4092	-



215 Clinton Road
New Hartford, NY 13413
Tel: +1 315 768 4855
Fax: +1 315 768 4941
Email: info@riverhawk.com

11. Finish the cleaning process by rinsing in a volatile solvent such as acetone and allow the stud to dry.

5.3 Stud Length Measurement

Measure and record the initial lengths of the studs. The following suggestions will improve your results.

- Plan to start and finish any flange in the same day.
- Studs and flange must be at the same temperature.
- Number each stud with a marker for later stretch measurement tracking.
- Mark the location of measurement on stud end with a permanent marker.
- Measure each stud to nearest 0.001 inch (.01 mm).
- Record each measurement on the supplied record sheets.
- Do not allow the measuring instruments to sit in the sun.
- The same person should make all measurements.

6.0 Stud and Nut Assembly

Refer to the hardware assembly drawing (HF-xxxx) listed in Section 2.0 of the manual.

1. Lubricate the stud's threads with clean turbine oil or spray lubricant.
2. Lubricate the nut's threads and nut face with clean turbine oil or spray lubricant.
3. Assemble the cylindrical nut to the internal, conical thread end of the stud.
4. Slide the stud and nut into the flange as shown in Figures 6A thru 6F.

CUSTOMER'S INFORMATION BOX

CONTENTS ARE INDEPENDENT OF RIVERHAWK DOCUMENT CONTROL

GE DRAWING NUMBER	REV
373A4092	-



215 Clinton Road
New Hartford, NY 13413
Tel: +1 315 768 4855
Fax: +1 315 768 4941
Email: info@riverhawk.com

Revision N
Page 22 of 57

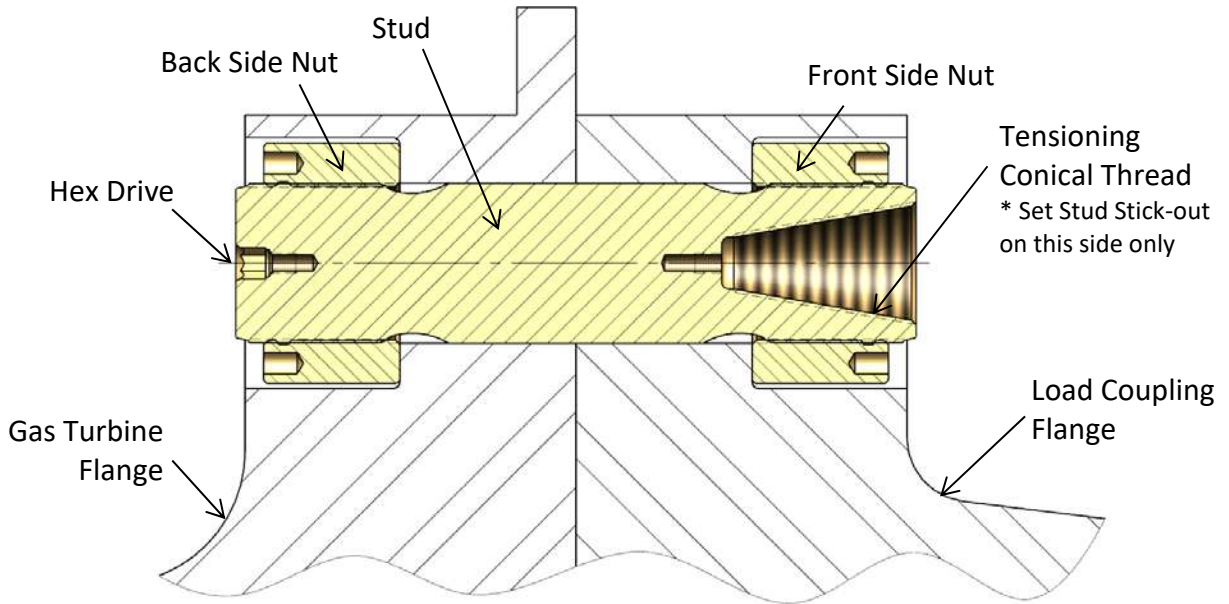


Figure 6A – Cross-section View of Gas Turbine to Load Coupling Bolted Flange Connection

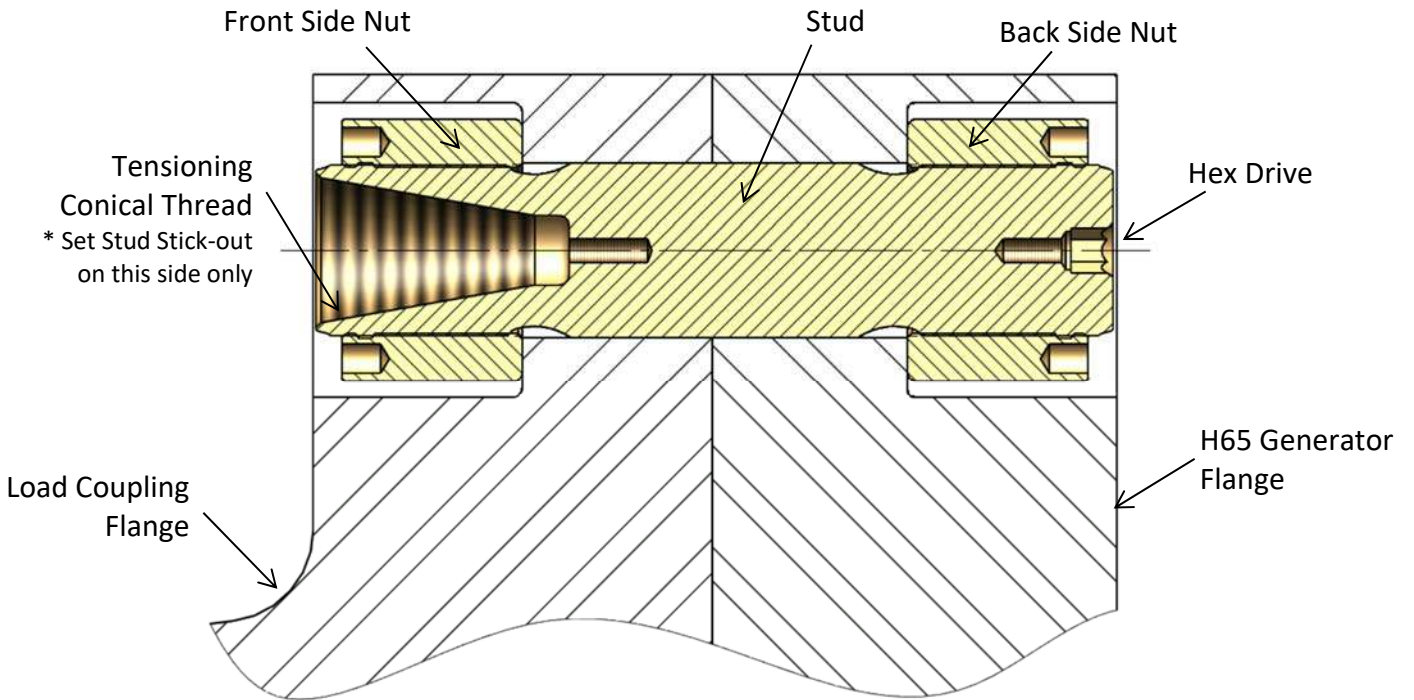


Figure 6B – Cross-section View of Load Coupling to H65 Generator Bolted Flange Connection

CUSTOMER'S INFORMATION BOX

CONTENTS ARE INDEPENDENT OF RIVERHAWK DOCUMENT CONTROL

GE DRAWING NUMBER	REV
373A4092	-



215 Clinton Road
 New Hartford, NY 13413
 Tel: +1 315 768 4855
 Fax: +1 315 768 4941
 Email: info@riverhawk.com

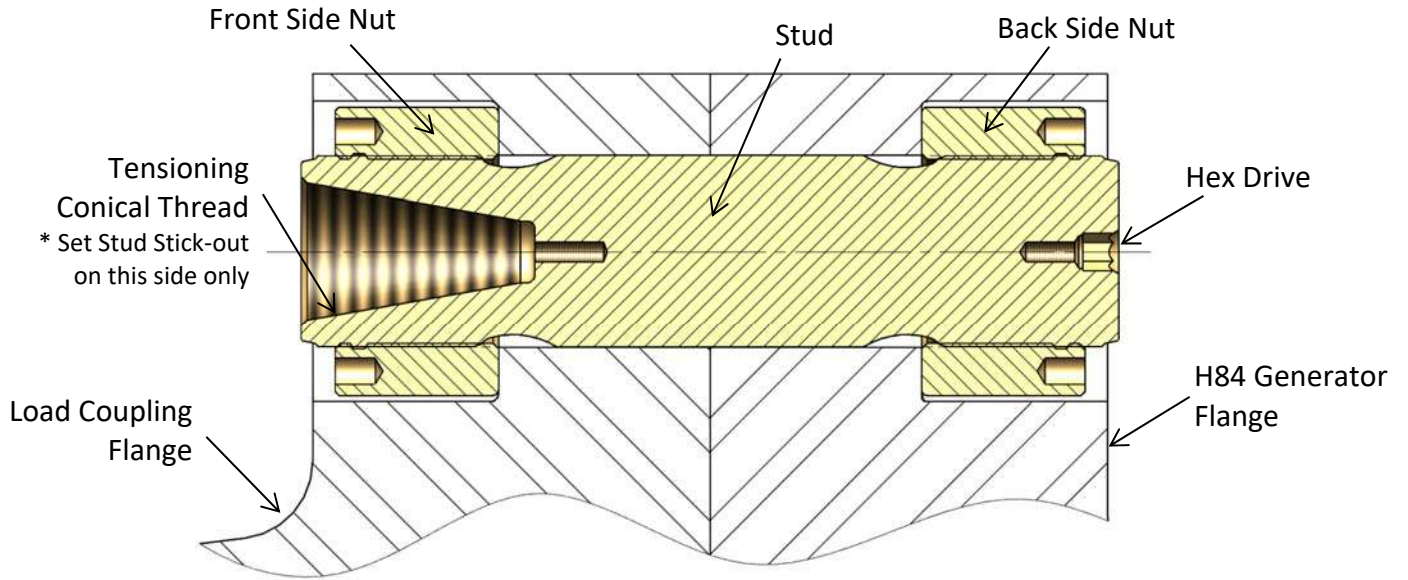


Figure 6C – Cross-section View of Load Coupling to H84 Generator Bolted Flange Connection

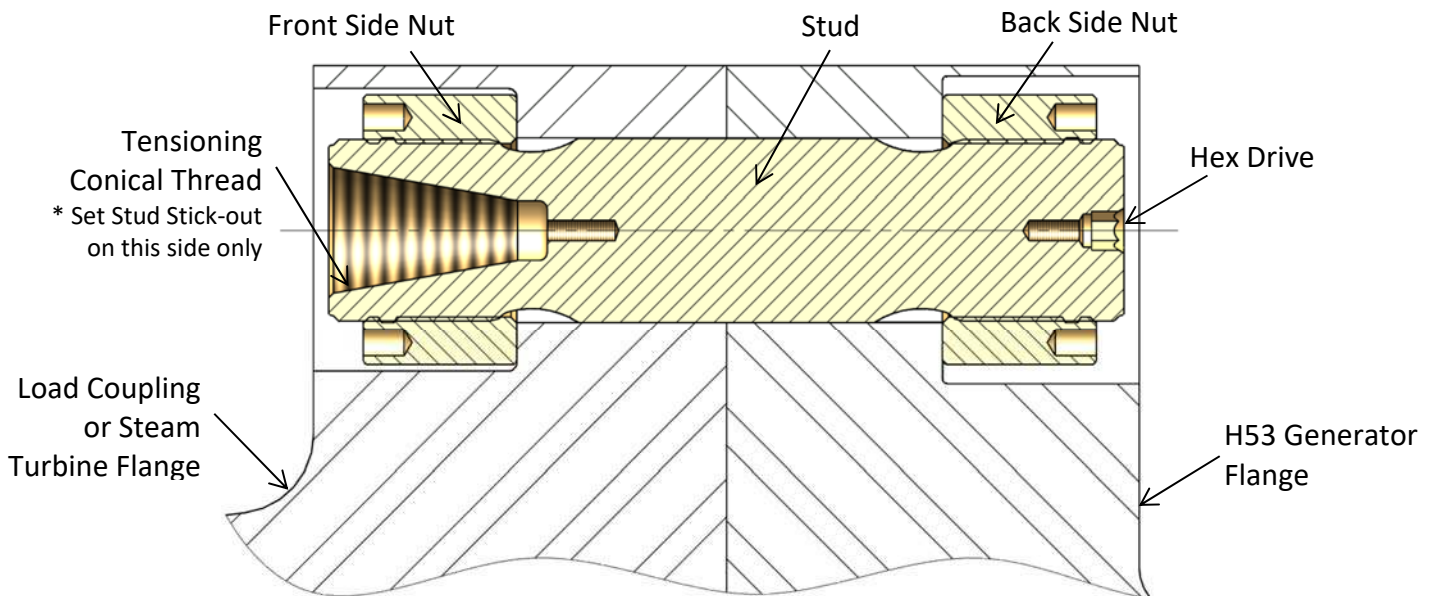


Figure 6D – Cross-section View of Load Coupling to H53 Generator Bolted Flange Connection

CUSTOMER'S INFORMATION BOX

CONTENTS ARE INDEPENDENT OF RIVERHAWK DOCUMENT CONTROL

GE DRAWING NUMBER	REV
373A4092	-



215 Clinton Road
 New Hartford, NY 13413
 Tel: +1 315 768 4855
 Fax: +1 315 768 4941
 Email: info@riverhawk.com

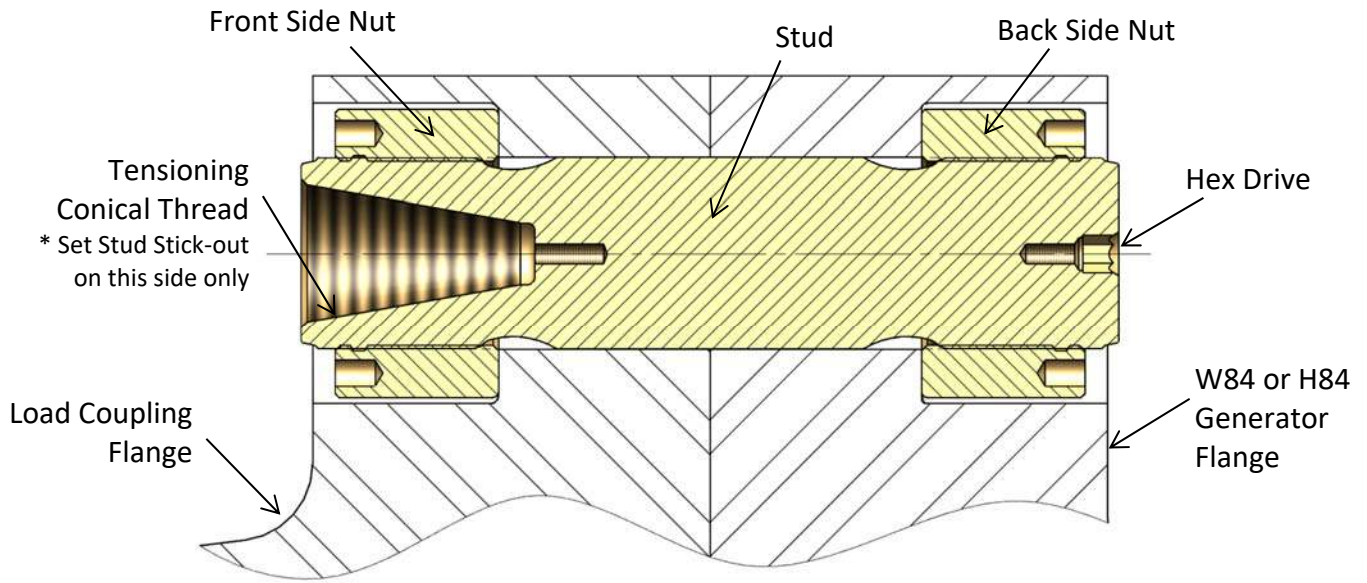


Figure 6E – Cross-section View of Load Coupling to GEN-W84 or GEN-H84 Generator Bolted Flange Connection

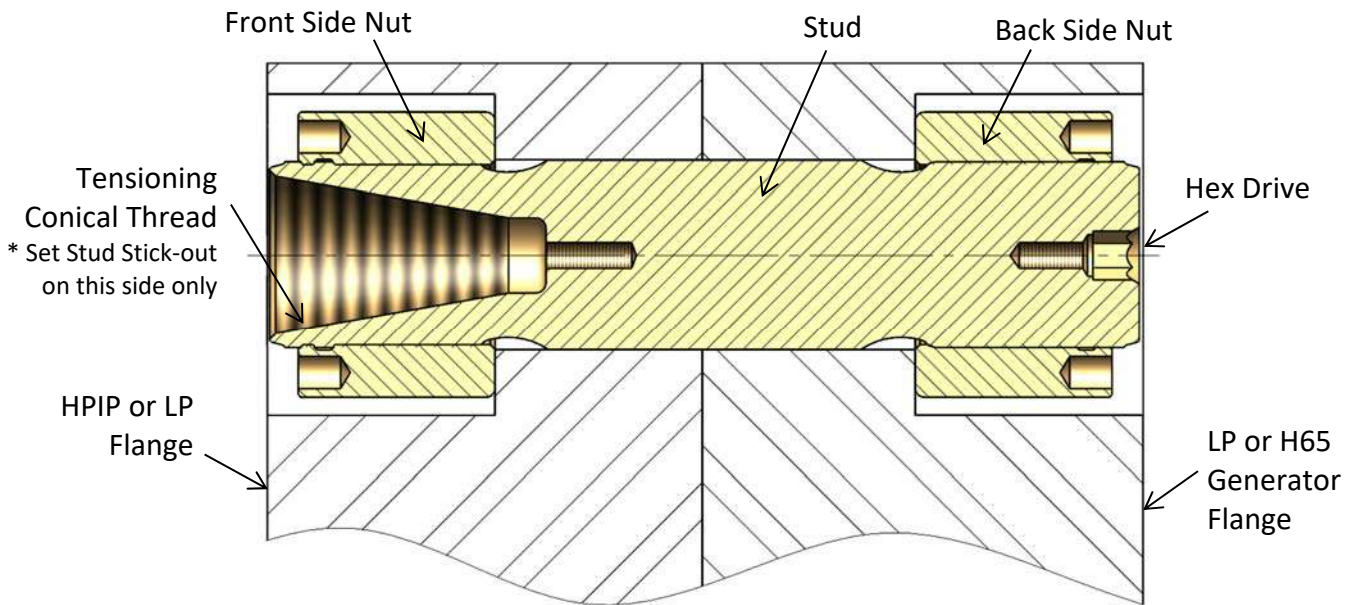


Figure 6F – Cross-section View of D600 HPIP to LP or LP to H65 Generator Bolted Flange Connection

5. Install the other nut on the backside.

CUSTOMER'S INFORMATION BOX

CONTENTS ARE INDEPENDENT OF RIVERHAWK DOCUMENT CONTROL



215 Clinton Road
 New Hartford, NY 13413
 Tel: +1 315 768 4855
 Fax: +1 315 768 4941
 Email: info@riverhawk.com

GE DRAWING NUMBER	REV
373A4092	-

- Adjust the nut/stud assembly so that the stud protrudes (or sticks out) from the face of the cylindrical nut the distance specified on the hardware drawing (HF-xxxx). **SETTING THIS PROTRUSION OF STUD TO NUT IS CRITICAL FOR PROPER TENSIONER OPERATION.** A metal stick-out gage is provided with the tensioner to assist the operator in setting the protrusion dimension.



Picture 6G – Use of Stick-Out Gage on the 3” Stud



Picture 6H – Use of Stick-Out Gage on the 2-1/4” Stud



Picture 6J – Use of Stick-Out Gage on the 2-3/4” Stud



Figure 6K – Use of Stick-Out Gage on the 2-1/4” Stud

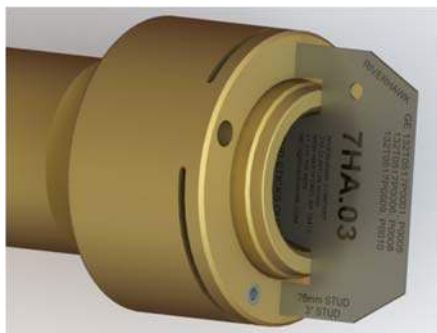


Figure 6L – Use of Stick-Out Gage on the 3” Stud



Figure 6M – Use of Stick-Out Gage on the 2-1/4” Stud

CUSTOMER'S INFORMATION BOX

CONTENTS ARE INDEPENDENT OF RIVERHAWK DOCUMENT CONTROL

GE DRAWING NUMBER	REV
373A4092	-



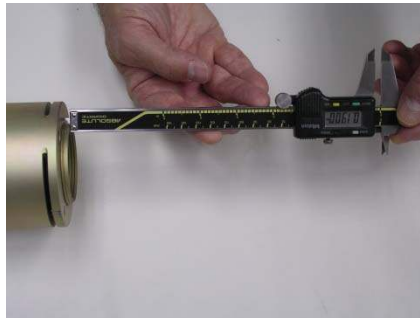
215 Clinton Road
 New Hartford, NY 13413
 Tel: +1 315 768 4855
 Fax: +1 315 768 4941
 Email: info@riverhawk.com



Figure 6N – Use of Stick-Out Gage on the 2-1/4” Stud



Picture 6P – Use of Drop Gage to measure stick-out



Picture 6R – Use of Calipers to measure stick-out

7. With Allen wrench in backside of stud to prevent stud rotation, firmly seat backside nut using spanner ring and pin wrench.
8. Recheck the stud stick-out length. If the stick-out length does not match the hardware drawing, adjust the nuts as necessary.

7.0 Hydraulic Tensioner Equipment Assembly

7.1 Hydraulic Equipment Inspection

7.1.1 Hydraulic Tensioner Inspection

CAUTION

Riverhawk recommends that the tensioner be returned to Riverhawk for periodic inspections. Replacement of obsolete tensioners is recommended. Functional upgrades are also

CUSTOMER'S INFORMATION BOX

CONTENTS ARE INDEPENDENT OF RIVERHAWK DOCUMENT CONTROL

GE DRAWING NUMBER	REV
373A4092	-



215 Clinton Road
 New Hartford, NY 13413
 Tel: +1 315 768 4855
 Fax: +1 315 768 4941
 Email: info@riverhawk.com

recommended. The Riverhawk Service Returns Coordinator should be notified 3-6 months prior to a planned outage to schedule an inspection service.

This tensioner does not require bleeding. See section 8.3

WARNING

To avoid failure, ensure safety, and proper operation, the tensioner assembly must be installed on a stud in the flange before pressurizing the tensioner. Do not use the tensioner at any pressure unless the tool is installed on a stud in a flange.

Clean puller screw and check for any debris and dents.

Inspect the tensioner guard for any signs of damage including cracked welds. Any guards modified in the field should be replaced. Bent guards should be replaced. Also, be sure the rubber pad is in place on the back side guard, if missing, replace.

Inspect the outside of the tensioner for discoloration patterns that may indicate submersion and internal damage.

Perform an inventory of the loose equipment supplied with the tensioner. An inventory list is provided on the tensioner's technical drawing (Riverhawk HT-xxxx listed in section 2.0 and 4.5). Replacement parts are available from Riverhawk.

7.1.1.1 Hydraulic Tensioner's Burst Disc Replacement

The hydraulic tensioner's burst disc is a key element in the overall safe use of the hydraulic tensioner. The burst disc's location is shown on the tensioner's technical drawing (Riverhawk HT-xxxx listed in section 2.0 and 4.5).

Each tensioner is shipped from our factory with one burst disc already installed in the tensioner and with another spare disc for field replacement. Extra burst discs are available from Riverhawk for replacement purposes.

To replace a damaged burst disc:

1. Remove the hydraulic port's dispersion nut, compression ring, and damaged burst disc.
2. Discard the damaged burst disc.
3. Clean the dispersion nut, compression ring, new burst disc, and the hydraulic port with a solvent to ensure a dirt-free installation.
4. Reassemble new burst disc, compression ring, and dispersion nut into the same hydraulic port.

CUSTOMER'S INFORMATION BOX

CONTENTS ARE INDEPENDENT OF RIVERHAWK DOCUMENT CONTROL

GE DRAWING NUMBER	REV
373A4092	-



215 Clinton Road
New Hartford, NY 13413
Tel: +1 315 768 4855
Fax: +1 315 768 4941
Email: info@riverhawk.com

Refer to Riverhawk Instruction Manual IM-363 (GE VENDOC 373A4077) for more information.

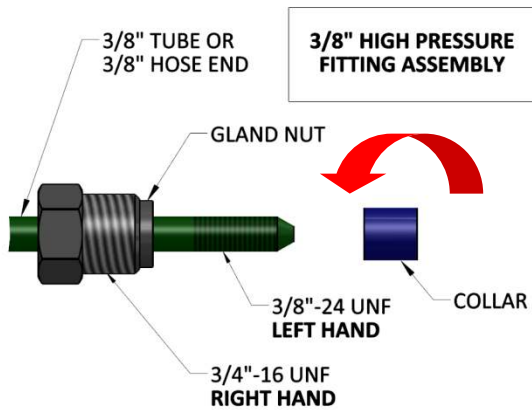
Warning

A damaged burst disc must be replaced with a burst disc of the same design and pressure rating. Do not substitute a damaged burst disc with a different disc type, a different pressure rating, or a foreign object.

7.1.2 Hydraulic Pump Kit Inspection

Refer to the Hydraulic Pump Kit Instruction Manual, IM-293 (GE VENDOC 373A4058). The latest revision may be obtained by contacting Riverhawk Company or thru www.riverhawk.com.

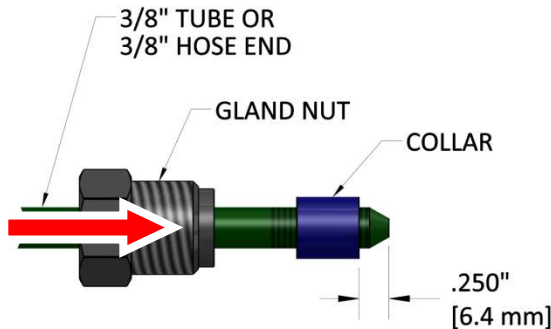
7.2 The 3/8" High Pressure Fitting Assembly



The Riverhawk hydraulic hose may use a 3/8" High Pressure Fitting to connect to a tensioner. The hose connector is made from a three piece assembly: a gland nut, a collar, and a 3/8" tube or 3/8" hose end. (See Illustration 1)

To assembly the fitting, slide the gland nut over the 3/8" tube or 3/8" hose end. Turn the collar counter-clockwise (**left hand** thread) on to the tube or hose end as shown in Illustration 1.

Illustration 1



The collar should be placed .250" (6.4 mm) from the tip of the cone. (See Illustration 2) It may be necessary to adjust this collar with a set of vise-grip pliers. Be careful to not strip the threads off the tube or hose end.

Illustration 2

CUSTOMER'S INFORMATION BOX

CONTENTS ARE INDEPENDENT OF RIVERHAWK DOCUMENT CONTROL

GE DRAWING NUMBER	REV
373A4092	-



215 Clinton Road
 New Hartford, NY 13413
 Tel: +1 315 768 4855
 Fax: +1 315 768 4941
 Email: info@riverhawk.com

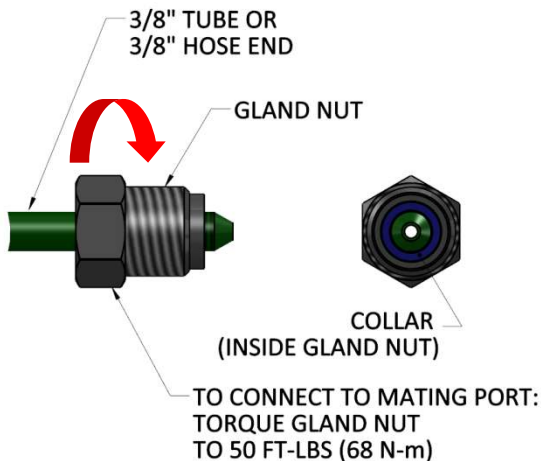


Illustration 3

Slide the gland nut down over the collar. (See Illustration 3) Insert the 3/8" tube or 3/8" hose end into tensioner or hydraulic pump. While firmly holding the tube or hose end to stop it from rotating, turn the gland nut clockwise (**right hand** thread) and torque the gland nut to 50 FT-LBS (68 N-m).

Tips:

- Make sure all parts are clean and free from debris.
- Protect the cone on the end of the 3/8" tube or 3/8" hose end from scratches as this is the sealing surface.
- Replace red plastic caps when finished to protect the threads and cone.

8.0 Assembly of Tensioner on a Stud

The tensioner used in this application can be identified by its ORANGE safety guard. If the tensioner's safety guard is YELLOW, a different set of instructions are required. Consult the Riverhawk factory for assistance.

8.1 Handling of the Tensioner

The tensioner used in this application is designed to require no special lifting instructions. Do not drop any part of the tensioner on the operator or other nearby personnel.

8.2 Kit Assembly

Connect the hydraulic hose from the hydraulic pump to the tensioner.

Refer to the hardware assembly drawing (HF-xxxx) listed in Section 2.0 of this manual and the tensioner assembly drawing (HT-xxxx) listed in Section 4.5 of this manual to determine how the tensioner must be assembled on the load coupling for its correct operation.

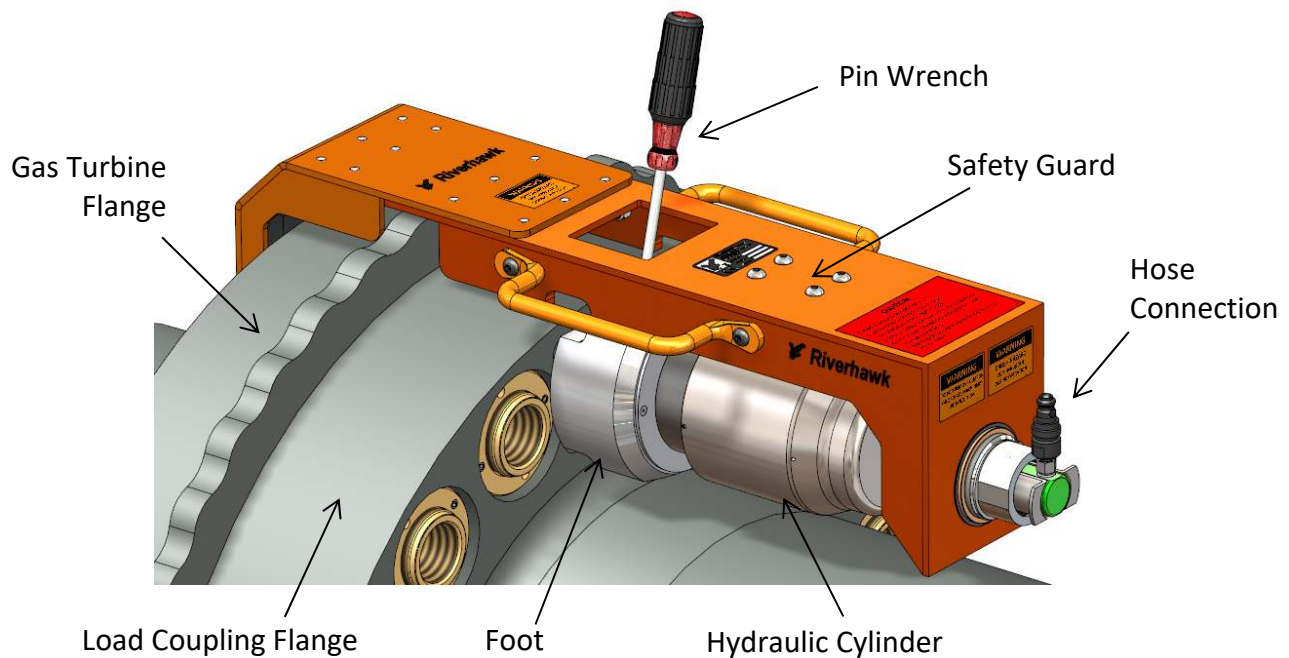
CUSTOMER'S INFORMATION BOX

CONTENTS ARE INDEPENDENT OF RIVERHAWK DOCUMENT CONTROL

GE DRAWING NUMBER	REV
373A4092	-



215 Clinton Road
 New Hartford, NY 13413
 Tel: +1 315 768 4855
 Fax: +1 315 768 4941
 Email: info@riverhawk.com



Picture 8A – Features of the Hydraulic Tensioner HT-7130

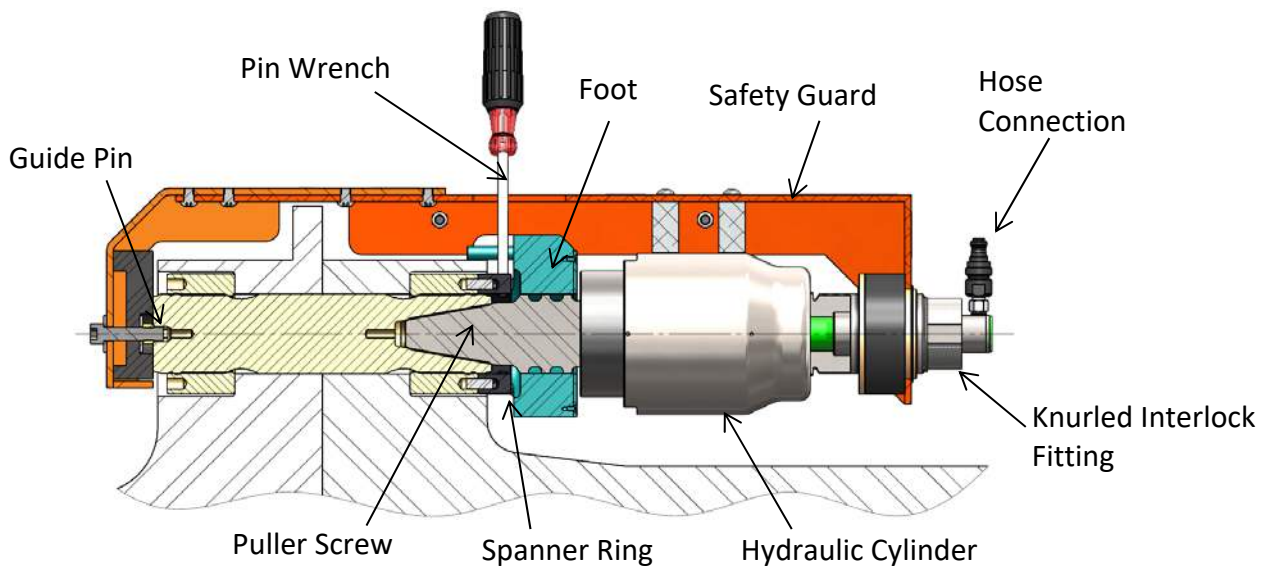


Figure 8B – Cutaway view of Hydraulic Tensioner HT-7130

Note: Before threading the puller screw into the stud, carefully check the cleanliness of both the stud's and the puller screw's conical threads. Apply a light coat of clean turbine oil or a spray lubricant to the puller screw. **Do not use "Never Seize" on the conical threads.** This procedure will ease assembly and assure positive mating of the threads before tightening.

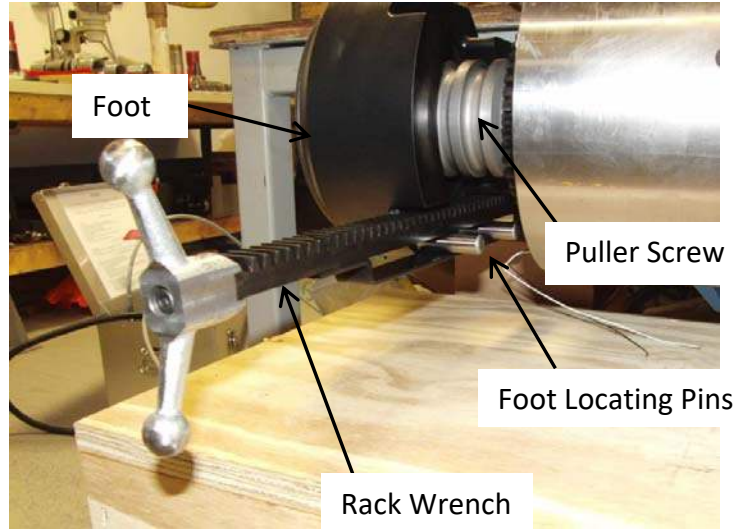
CUSTOMER'S INFORMATION BOX

CONTENTS ARE INDEPENDENT OF RIVERHAWK DOCUMENT CONTROL

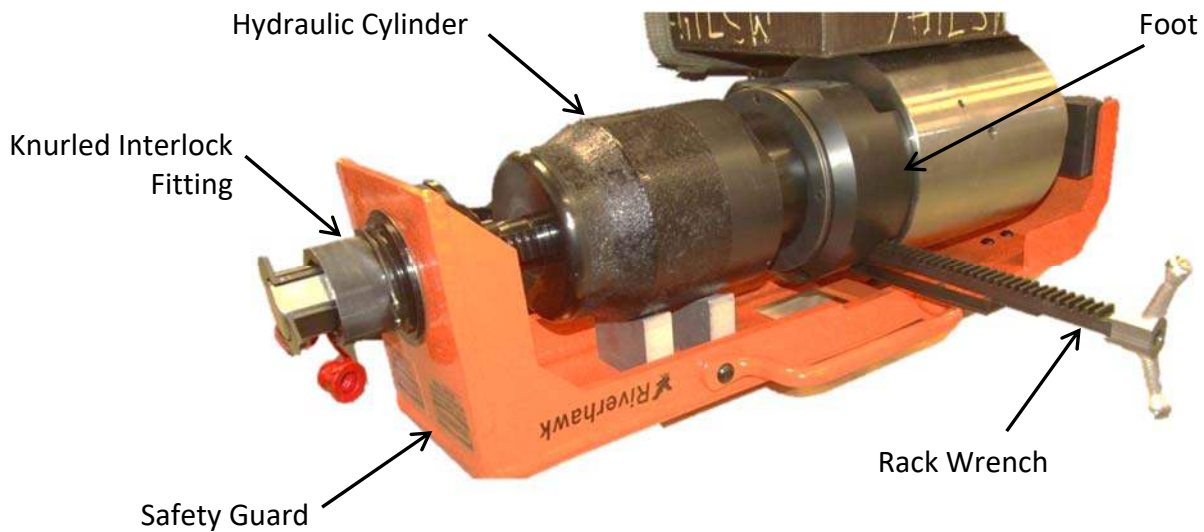


215 Clinton Road
 New Hartford, NY 13413
 Tel: +1 315 768 4855
 Fax: +1 315 768 4941
 Email: info@riverhawk.com

GE DRAWING NUMBER	REV
373A4092	-



Picture 8C – 6 O’clock Position Rack Wrench on Foot for Tensioner HT-7130



Picture 8D – 6 O’clock Position Spur Gear Spanner and Rack Wrench for Tensioner HT-7130

Note: On 7HA.03 Gas Turbines have piping close to the bolted flange on the load coupling’s gas turbine end. This piping will restrict the use of the tensioner that both the usual pin wrench and the rack wrench may not fit. In some locations the core tensioner and guard will be restricted. In those cases, GE and Riverhawk advises to rotate the shaft to make those remaining bolt holes accessible.

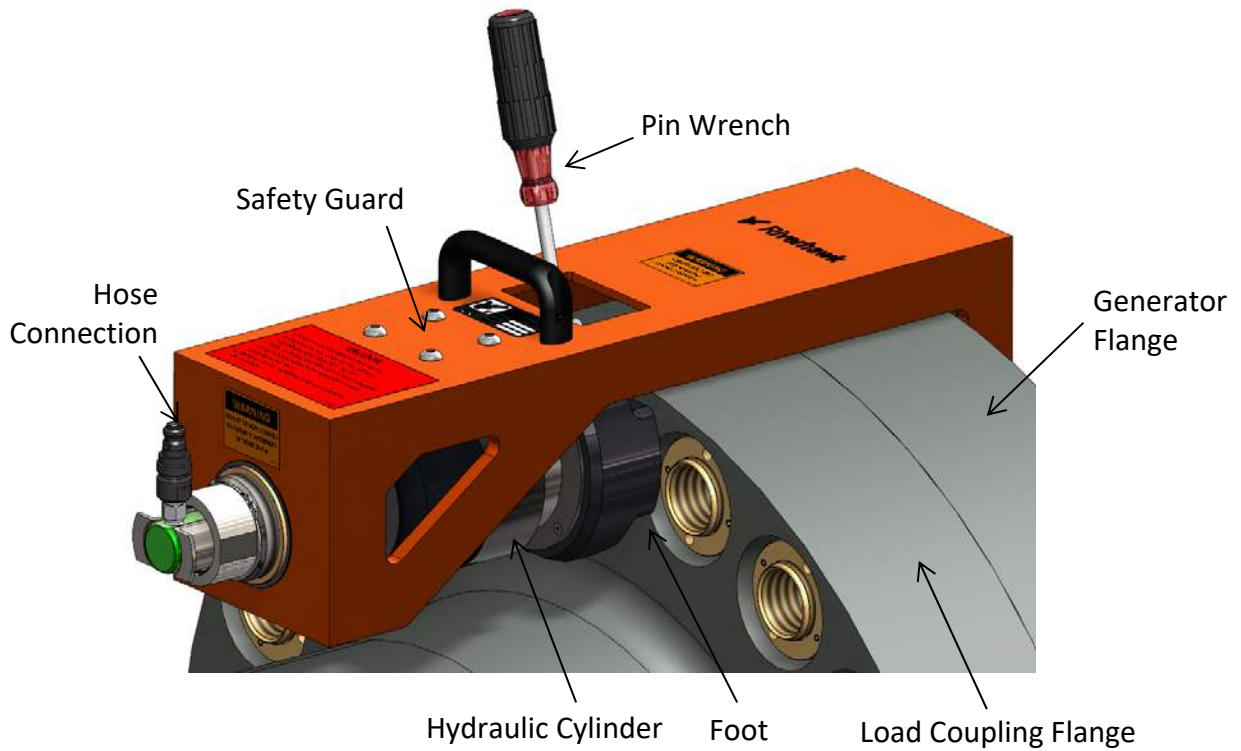
CUSTOMER'S INFORMATION BOX

CONTENTS ARE INDEPENDENT OF RIVERHAWK DOCUMENT CONTROL



215 Clinton Road
 New Hartford, NY 13413
 Tel: +1 315 768 4855
 Fax: +1 315 768 4941
 Email: info@riverhawk.com

GE DRAWING NUMBER	REV
373A4092	-



Picture 8E – Features of the Hydraulic Tensioner HT-7131

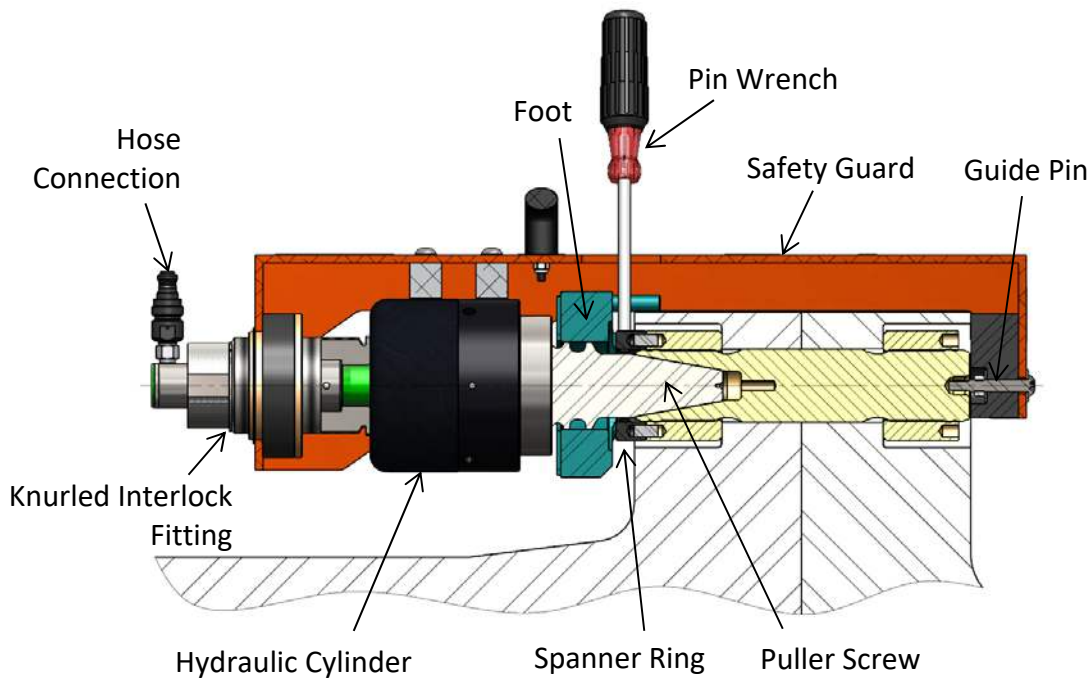


Figure 8F – Cutaway view of Hydraulic Tensioner HT-7131

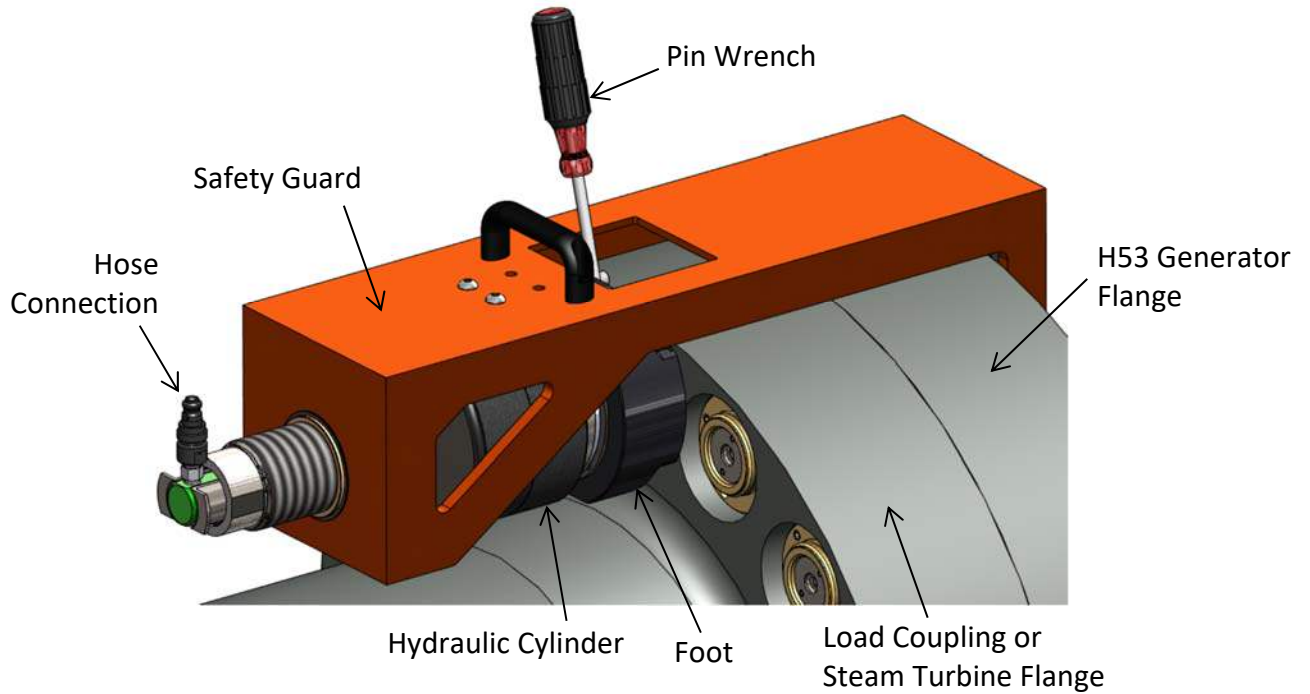
CUSTOMER'S INFORMATION BOX

CONTENTS ARE INDEPENDENT OF RIVERHAWK DOCUMENT CONTROL



215 Clinton Road
 New Hartford, NY 13413
 Tel: +1 315 768 4855
 Fax: +1 315 768 4941
 Email: info@riverhawk.com

GE DRAWING NUMBER	REV
373A4092	-



Picture 8G – Features of the Hydraulic Tensioner HT-9974 (formerly HT-8194)

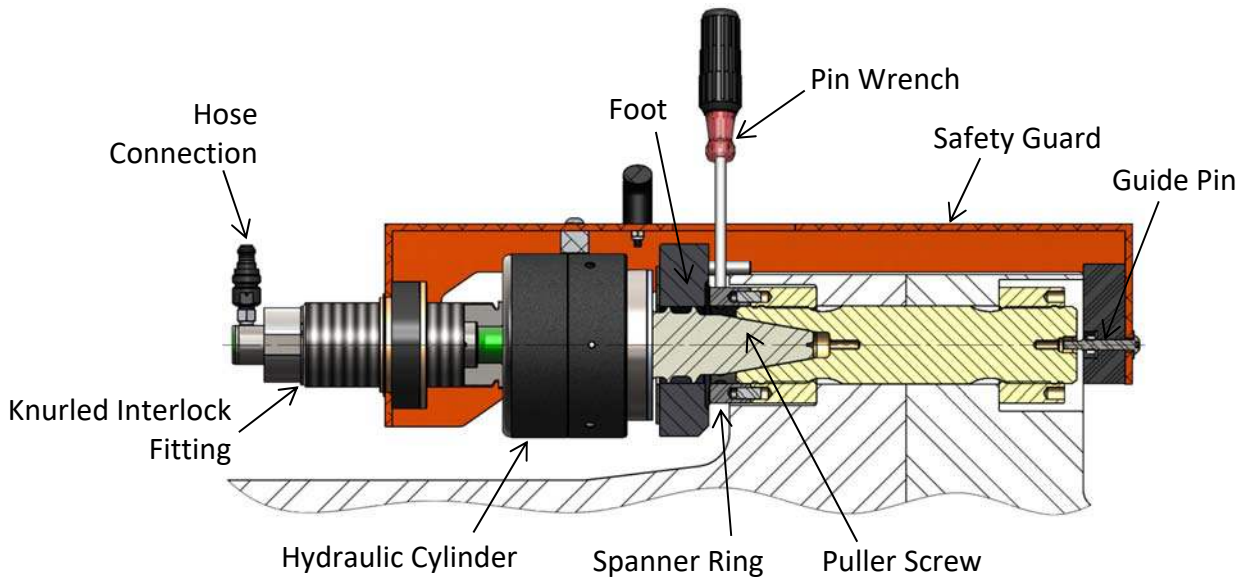


Figure 8H – Cutaway view of Hydraulic Tensioner HT-9974 (formerly HT-8194)

CUSTOMER'S INFORMATION BOX

CONTENTS ARE INDEPENDENT OF RIVERHAWK DOCUMENT CONTROL



215 Clinton Road
 New Hartford, NY 13413
 Tel: +1 315 768 4855
 Fax: +1 315 768 4941
 Email: info@riverhawk.com

GE DRAWING NUMBER	REV
373A4092	-

Assembly sequence is as follows:

Note: On 7HA.03 Gas Turbines have piping close to the bolted flange on the load coupling's gas turbine end. This piping will restrict the use of the tensioner that both the usual pin wrench and the rack wrench may not fit. In some locations the core tensioner and guard will be restricted. In those cases, GE and Riverhawk advises to rotate the shaft to make those remaining bolt holes accessible.

1. Open the hydraulic return valve on the pump to allow hydraulic fluid to be pushed from the tensioner and back into the pump reservoir. (This is automatic on the air-operated hydraulic pump)
2. Place the spanner ring on the nut. **(For the gas turbine end's bottom positions, where piping permits, use the spur gear spanner ring)**
3. Install one puller screw release tape strip into end of the stud. See IM-336 (GE VENDOCS 3734074)
4. Insert the puller screw into the tapered thread of the stud and hand tighten. **Be sure not to cross-thread the puller screw.**
5. Using an Allen wrench, tighten the puller screw and then back off the puller screw 1/2 a turn.
6. Retighten the puller screw by hand until it is fully inserted. **DO NOT BACK OFF THE PULLER SCREW.**
7. **For the gas turbine end's bottom positions, where piping permits, slide rack wrench over locating pins of the foot and orientate rack wrench as needed for rotation of the spur gear spanner. (Figure 8C)**
8. Place the foot over the puller screw and orientate it into position. **(For the gas turbine end's bottom positions, where piping permits engage rack wrench with spur gear spanner)**
9. Thread the tensioner onto the puller screw until it stops. Please note that the internal stop inside the tensioner will cause a gap in between the foot and tensioner. The gap should be 1/16" [1.6mm] to 3/16" [4.8mm]. **DO NOT ATTEMPT TO TIGHTEN THE TENSIONER AGAINST THE FOOT.**
10. Place the guard over the tensioner and position the guide pin into the hole in the backside of the stud.
11. Tighten the knurled interlock fitting by hand until it firmly presses against the tensioner. There should be no gap between the tensioner the interlock fitting.
12. Activate the custom connector from the rear of guard by pushing on the center with your thumb and pulling the tabs with your fore finger and middle finger. Push the assembly

CUSTOMER'S INFORMATION BOX

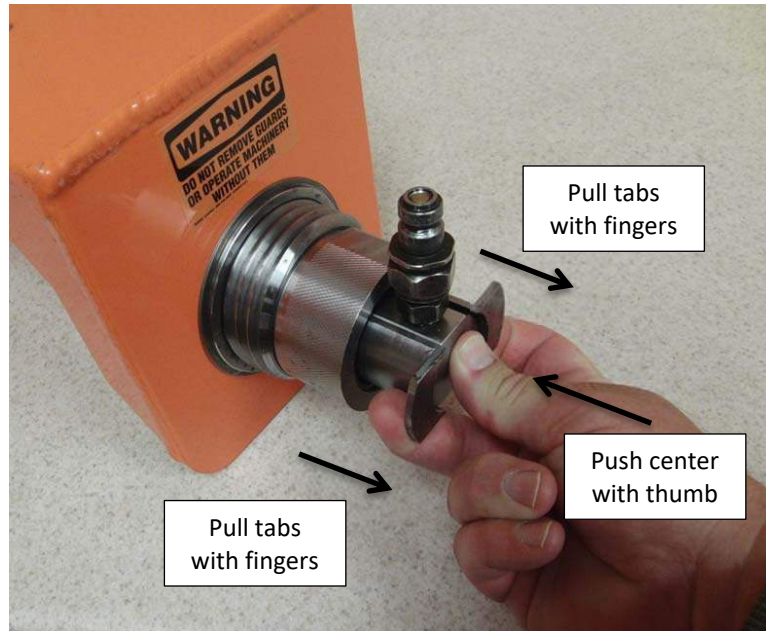
CONTENTS ARE INDEPENDENT OF RIVERHAWK DOCUMENT CONTROL

GE DRAWING NUMBER	REV
373A4092	-



215 Clinton Road
 New Hartford, NY 13413
 Tel: +1 315 768 4855
 Fax: +1 315 768 4941
 Email: info@riverhawk.com

forward until it locks into the tensioner. Release fingers from the tabs and then remove thumb. Ensure connection is firmly engaged or else the tensioner will not be connected to the pump.



Picture 8J - Activation of the safety interlock

13. Connect the hydraulic pump to the tensioner. The tensioner should now be completely assembled and ready for use.

8.3 Bleeding Hydraulic System

Bleeding of the hydraulic system is not necessary with this tensioner design.

9.0 Stud Tensioning

The studs will be tensioned in two steps, at 50% pressure and at final pressure. Follow the tensioning sequence for each flange joint as defined on the record sheets found at the end of this manual.

9.1 Tensioning at 50% pressure

After the tensioner is properly installed, apply hydraulic pressure to the tool. Bring the pressure to the 50% level in accordance with the following table.

CUSTOMER'S INFORMATION BOX

CONTENTS ARE INDEPENDENT OF RIVERHAWK DOCUMENT CONTROL

GE DRAWING NUMBER	REV
373A4092	-



215 Clinton Road
 New Hartford, NY 13413
 Tel: +1 315 768 4855
 Fax: +1 315 768 4941
 Email: info@riverhawk.com

WARNING

The safety cage must be in place at all times. Keep hands out of designated areas at all times when the tensioner is pressurized otherwise personal injury can occur.

CAUTION

Before threading the puller screw into the stud, carefully check the cleanliness of both the stud's and the puller screw's conical threads. Apply a light coat of clean turbine oil or a spray lubricant to the puller screw. This procedure will ease assembly and assure positive mating of the threads before tightening. Do not use "Never Seize" on the conical threads.

CAUTION

Do not exceed the maximum pressure marked on the tensioner. Excessive pressure can damage the stud and puller screw.

CAUTION

Do not tighten the nut while the tool is coming up to pressure; wait until pressure is achieved before attempting to tighten the nut with the spanner ring. If the tool is not properly installed, the tool could jump off the stud while coming up to pressure.

<u>Flange Position</u>	<u>Stud Size</u>	<u>50% Pressure</u>	<u>50% Stretch</u>
Gas Turbine to Load Coupling	3" [76 mm]	13000 psi [900 bar]	Do not measure Do not use
Load Coupling to H65 Generator	2-1/4" [58 mm]	12000 psi [830 bar]	Do not measure Do not use
Load Coupling to H84 Generator	3" [76 mm]	13000 psi [900 bar]	Do not measure Do not use
Load Coupling to H53 Generator	2-3/4" [71 mm]	11500 psi [790 bar]	Do not measure Do not use
D602 Steam Turbine LP to H53 Generator	2-3/4" [71 mm]	11500 psi [790 bar]	Do not measure Do not use
Load Coupling to W84 or H84 Generator	3" [76 mm]	13000 psi [900 bar]	Do not measure Do not use
D600 Steam Turbine HPIP to LP	2-1/4" [58 mm]	12000 psi [830 bar]	Do not measure Do not use

CUSTOMER'S INFORMATION BOX

CONTENTS ARE INDEPENDENT OF RIVERHAWK DOCUMENT CONTROL

GE DRAWING NUMBER	REV
373A4092	-



215 Clinton Road
New Hartford, NY 13413
Tel: +1 315 768 4855
Fax: +1 315 768 4941
Email: info@riverhawk.com

D600 Steam Turbine LP to H65 Generator	2-1/4" [58 mm]	12000 psi [830 bar]	Do not measure Do not use
---	-------------------	------------------------	------------------------------

Firmly tighten the cylindrical nuts with approximately 20 ft·lbs [27 N·m] of torque using the pin wrench and spanner ring (For the gas turbine end's bottom positions, where piping permits, use the rack wrench with spur gear spanner). Turn the nut until it bottoms on the flange.

9.2 Removing the Tensioner from an Installed Stud

The tensioner removal is accomplished by the following steps:

1. Release the hydraulic pressure by either releasing the hand switch on the air-driven pump kit or by opening the valve on the manual pump kit and leave the valve open.
2. Unscrew the knurled interlock fitting at the end of the guard and remove the guard from the tensioner.
3. Unscrew the tensioner from puller screw.
4. Remove the foot from the puller screw.
5. Unscrew the puller screw using an Allen wrench. Tapping the Allen wrench with a hammer or the use of a 3-4' breaker bar may be necessary to loosen the puller screw. Do not use an impact wrench as this can damage the puller screw.
6. Remove the spanner ring from the nut.
7. Move the tool to the next bolt hole following the tensioning pattern from the stretched record sheets at the end of this manual.

9.3 Tensioning at Final Pressure

Repeat the pulling and tightening procedure stated above at full pressure. After all of the studs have been tensioned, measure the final stud length. The final pressure and required stretch values are listed in the following table.

WARNING

The safety cage must be in place at all times. Keep hands out of designated areas at all times when the tensioner is pressurized otherwise personal injury can occur.

CAUTION

Before threading the puller screw into the stud, carefully check the cleanliness of both the stud's and the puller screw's conical threads. Apply a light coat of clean turbine oil or a spray lubricant to the puller screw. This procedure will ease assembly and assure positive mating of the threads before tightening. Do not use "Never Seize" on the conical threads.

CUSTOMER'S INFORMATION BOX

CONTENTS ARE INDEPENDENT OF RIVERHAWK DOCUMENT CONTROL

GE DRAWING NUMBER	REV
373A4092	-



215 Clinton Road
New Hartford, NY 13413
Tel: +1 315 768 4855
Fax: +1 315 768 4941
Email: info@riverhawk.com

CAUTION

Do not exceed the maximum pressure marked on the tensioner. Excessive pressure can damage the stud and puller screw.

CAUTION

Do not tighten the nut while the tool is coming up to pressure; wait until pressure is achieved before attempting to tighten the nut with the spanner ring. If the tool is not properly installed, the tool could jump off the stud while coming up to pressure.

<u>Flange Position</u>	<u>Stud Size</u>	<u>Final Pressure</u>	<u>Final Stretch</u>
Gas Turbine to Load Coupling	3" [76 mm]	25000 psi [1725 bar]	0.020" - 0.023" [0.51 mm - 0.58 mm]
Load Coupling to H65 Generator	2-1/4" [58 mm]	24500 psi [1690 bar]	0.017" - 0.019" [0.43 mm - 0.48 mm]
Load Coupling to H84 Generator	3" [76 mm]	25000 psi [1725 bar]	0.020" - 0.023" [0.51 mm - 0.58 mm]
Load Coupling to H53 Generator	2-3/4" [71 mm]	23000 psi [1585 bar]	0.017" - 0.021" [0.43 mm - 0.53 mm]
D602 Steam Turbine LP to H53 Generator	2-3/4" [71 mm]	23000 psi [1585 bar]	0.017" - 0.021" [0.43 mm - 0.53 mm]
Load Coupling to W84 or H84 Generator	3" [76 mm]	25000 psi [1725 bar]	0.020" - 0.023" [0.51 mm - 0.58 mm]
D600 Steam Turbine HPIP to LP	2-1/4" [58 mm]	24500 psi [1690 bar]	0.017" - 0.019" [0.43 mm - 0.48 mm]
D600 Steam Turbine LP to H65 Generator	2-1/4" [58 mm]	24500 psi [1690 bar]	0.017" - 0.019" [0.43 mm - 0.48 mm]

Firmly tighten the cylindrical nuts with approximately 20 ft-lbs [27 N·m] of torque using the pin wrench and spanner ring (For the gas turbine end's bottom positions, where piping permits, engage rack wrench with spur gear spanner). Turn the nut until it bottoms on the flange.

Failure to achieve the correct final stretch values will result in an incorrectly tensioned stud.

CUSTOMER'S INFORMATION BOX

CONTENTS ARE INDEPENDENT OF RIVERHAWK DOCUMENT CONTROL



215 Clinton Road
 New Hartford, NY 13413
 Tel: +1 315 768 4855
 Fax: +1 315 768 4941
 Email: info@riverhawk.com

GE DRAWING NUMBER	REV
373A4092	-

Incorrect stretch values can be corrected by uninstalling some or all of the selected studs. Re-measure the initial length of the studs and repeat the installation instructions studs. Excessive stretch variations can also be corrected by the same method.

Have final stretch values approved by the supervisor responsible for the installation.

10.0 Thread Locking and Windage Plug Installation

10.1 Thread Locking



Picture 10A - Riverhawk Locknut

Mechanical lock nuts have two set screws located in the top face. Before threading the nut onto the stud, check to be certain the set screws are free to turn. Once the nut is seated torque the set screws to the values specified in the following table. When seated and torqued to the values specified, the load created by the set screw displaces the thread of the nut in the area of the web thereby creating the desired locking action.

<u>Stud Size</u>	<u>Set Screw Size</u>	<u>Torque</u>
3" [76 mm]	3/8"-24UN	200 in·lbs - 250 in·lbs [22.6 N·m – 28.2 N·m]
2-1/4" [58 mm]	1/4"-28UN	70 in·lbs - 80 in·lbs [7.9 N·m – 9.0 N·m]

CUSTOMER'S INFORMATION BOX

CONTENTS ARE INDEPENDENT OF RIVERHAWK DOCUMENT CONTROL

GE DRAWING NUMBER	REV
373A4092	-



215 Clinton Road
New Hartford, NY 13413
Tel: +1 315 768 4855
Fax: +1 315 768 4941
Email: info@riverhawk.com

Revision N
Page 40 of 57

2-3/4"
[71 mm]

3/8"-24UN

200 in·lbs - 250 in·lbs
[22.6 N·m – 28.2 N·m]

10.2 Windage Plug Installation

Refer to the hardware assembly drawing (HF-xxxx) listed in Section 2.0 of this manual to determine if windage plugs are required for the installation. Along with other identifying markings, the windage plug's part number can be found on the plug's top surface as shown in the picture below.



Picture 10B – Windage Plug's Markings

To install the windage plug, use the following instructions:

1. Inspect the stud's conical thread. It should have a bright and shiny appearance. The threads should be visually checked for any damage. Refer to Section 5.2 or Riverhawk Instruction Manual IM-220 (GE Vendoc 373A4025) for assistance.
2. Apply a light coat of clean turbine oil to the stud.

CAUTION

Before installation, carefully check the cleanliness of the windage plug's and the stud's threads. Apply a light coat of clean turbine oil to the stud's conical thread. This procedure will ease assembly before tightening. Do not use "Never Seize" on any surface or thread.

CUSTOMER'S INFORMATION BOX

CONTENTS ARE INDEPENDENT OF RIVERHAWK DOCUMENT CONTROL

GE DRAWING NUMBER	REV
373A4092	-



215 Clinton Road
New Hartford, NY 13413
Tel: +1 315 768 4855
Fax: +1 315 768 4941
Email: info@riverhawk.com

- Thread the windage plug into the conical thread of the stud. The windage plug must not be cross-threaded when installed. Apply the following torque to seat the windage plug into the stud.

Windage Plug P/N	Installation Torque
7002259	200-250 in-lbs. [22.6-28.2 Nm]
7002756 7003293	350-450 in-lbs. [39.5-50.8 Nm]

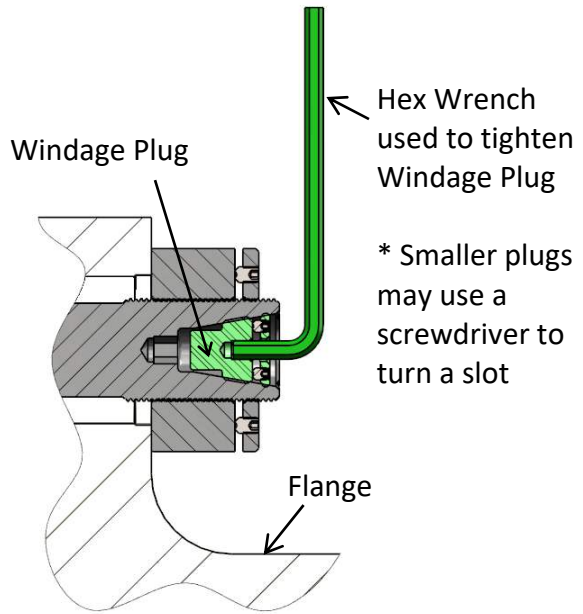


Figure 10C

- The windage plug includes a locking feature similar to the locking feature of the cylindrical nuts. The set screws must be torqued to the following amount. These set screws will cause the top section of the windage plug to lock onto the stud's threads.

Windage Plug P/N	Installation Torque
7002259 7002756	80-90 in-lbs. [9.0-10.1 Nm]
7003293	145-155 in-lbs. [16.4-17.5 Nm]

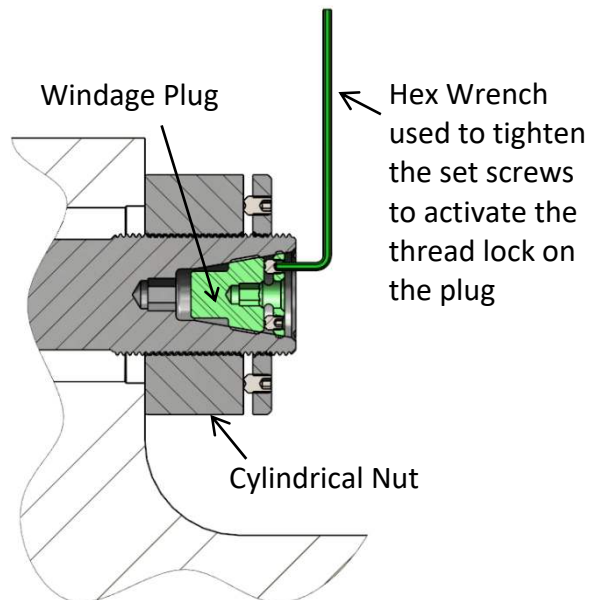


Figure 10D

WARNING

Do not use lock-tite on any of the threads and do not stake any component of this assembly.

CUSTOMER'S INFORMATION BOX

CONTENTS ARE INDEPENDENT OF RIVERHAWK DOCUMENT CONTROL



215 Clinton Road
New Hartford, NY 13413
Tel: +1 315 768 4855
Fax: +1 315 768 4941
Email: info@riverhawk.com

GE DRAWING NUMBER	REV
373A4092	-

5. The windage plug should be at least 0.060" [1.5 mm] below the face of the stud for the locking feature to work correctly. If not, loosen set screws and reexamine the stud's and plug's threads for debris or damage. It may be necessary to replace the plug.
6. The set screws should flush to slightly below the top of the windage plug. The set screw should also press against the slot's opposite surface.

Wrong Installation Position



Partially Loose Set screw

Correct Installation Position



Pressed against Opposite Surface. No Gap.

Picture 10E – Set Screw Position

11.0 Stud and Nut Removal

The tensioner used in this application can be identified by its ORANGE safety guard. If the tensioner's safety guard is YELLOW, a different set of instructions are required. Consult the Riverhawk factory for assistance.

11.1 Handling of the Tensioner

The tensioner used in this application is designed for no special lifting instructions. Do not drop any part of the tensioner on the operator or other nearby personnel.

11.2 Stud and Nut Removal

WARNING

The safety cage must be in place at all times. Keep hands out of designated areas at all times when the tensioner is pressurized otherwise personal injury can occur.

CUSTOMER'S INFORMATION BOX

CONTENTS ARE INDEPENDENT OF RIVERHAWK DOCUMENT CONTROL



215 Clinton Road
 New Hartford, NY 13413
 Tel: +1 315 768 4855
 Fax: +1 315 768 4941
 Email: info@riverhawk.com

GE DRAWING NUMBER	REV
373A4092	-

CAUTION

Before threading the puller screw into the stud, carefully check the cleanliness of both the stud's and the puller screw's conical threads. Apply a light coat of clean turbine oil or a spray lubricant to the puller screw. This procedure will ease assembly and assure positive mating of the threads before tightening. Do not use "Never Seize" on the conical threads.

CAUTION

Do not exceed the maximum pressure marked on the tensioner. Excessive pressure can damage the stud and puller screw.

CAUTION

Do not tighten the nut while the tool is coming up to pressure; wait until pressure is achieved before attempting to tighten the nut with the spanner ring. If the tool is not properly installed, the tool could jump off the stud while coming up to pressure.

Refer to the hardware assembly drawing (HF-xxxx) listed in Section 2.0 of this manual and the tensioner assembly drawing (HT-xxxx) listed in Section 4.5 of this manual to determine how the tensioner must be assembled on the load coupling for its correct operation.

Section 8.0 contains diagrams of the tensioner equipment.

Note: Before threading the puller screw into the stud, carefully check the cleanliness of both the stud's and the puller screw's conical threads. Apply a light coat of clean turbine oil or a spray lubricant to the puller screw. **Do not use "Never Seize" on the conical threads.** This procedure will ease assembly and assure positive mating of the threads before tightening.

Note: On 7HA.03 Gas Turbines have piping close to the bolted flange on the load coupling's gas turbine end. This piping will restrict the use of the tensioner that both the usual pin wrench and the rack wrench may not fit. In some locations the core tensioner and guard will be restricted. In those cases, GE and Riverhawk advises to rotate the shaft to make those remaining bolt holes accessible.

Disassembly sequence is as follows:

1. If present, remove the windage plugs from the studs by reversing the installation instructions from section 10.2. It may be necessary to use two Allen wrenches: one to stop the windage plug from rotating, one to remove the set screws. Do not misplace the set screws.
2. Using a wire brush (GT-4253) and shop air, clean the internal tapered thread of the stud to remove any debris/deposits which may have accumulated during service as described in section 5.2.2. Do not continue until ALL debris is removed from the threads.

CUSTOMER'S INFORMATION BOX

CONTENTS ARE INDEPENDENT OF RIVERHAWK DOCUMENT CONTROL

GE DRAWING NUMBER	REV
373A4092	-



215 Clinton Road
New Hartford, NY 13413
Tel: +1 315 768 4855
Fax: +1 315 768 4941
Email: info@riverhawk.com

WARNING

Do not use a hydraulic tensioner to remove a stud with damaged conical threads.

3. With an Allen-wrench loosen the two locking set screws but do not remove from the nut.



Picture 11A - Loosening of a nut's set screws

4. Connect the hydraulic hose from the hydraulic pump to the tensioner.
5. Open the hydraulic return valve on the pump to allow hydraulic fluid to be pushed from the tensioner and back into the pump reservoir. (This is automatic on the air-operated hydraulic pump)
6. Place the spanner ring on the nut. (For the gas turbine end's bottom positions, where piping permits, use the spur gear spanner ring)
7. Insert the puller screw into the tapered thread of the stud and hand tighten. **Be sure not to cross-thread the puller screw.**
8. Using an Allen wrench, tighten the puller screw and then back off the puller screw 1/2 a turn.
9. Retighten the puller screw by hand until it is fully inserted. **DO NOT BACK OFF THE PULLER SCREW.**
10. For the gas turbine end's bottom positions, where piping permits, slide rack wrench over locating pins of the foot and orientate rack wrench as needed for rotation of the spur gear spanner.
11. Place the foot over the puller screw and orientate it into position. (For the gas turbine end's bottom positions, where piping permits, engage rack wrench with spur gear spanner)

CUSTOMER'S INFORMATION BOX

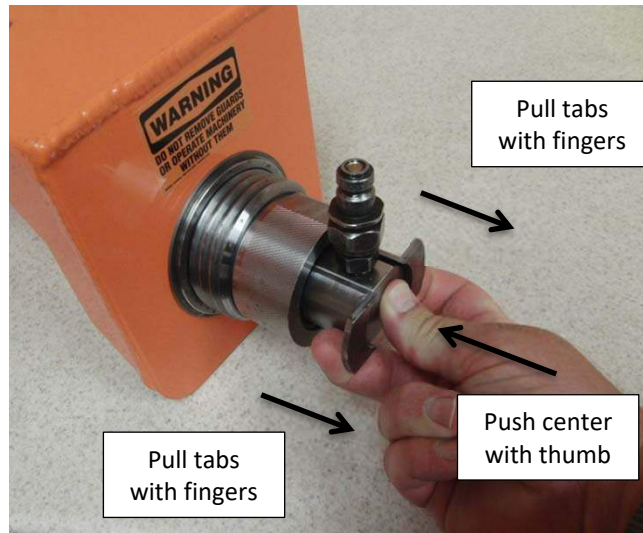
CONTENTS ARE INDEPENDENT OF RIVERHAWK DOCUMENT CONTROL

GE DRAWING NUMBER	REV
373A4092	-



215 Clinton Road
New Hartford, NY 13413
Tel: +1 315 768 4855
Fax: +1 315 768 4941
Email: info@riverhawk.com

12. Thread the tensioner onto the puller screw until it stops. Please note that the internal stop inside the tensioner will cause a gap in between the foot and tensioner. The gap should be 1/16" [1.6mm] to 3/16" [4.8mm]. **DO NOT ATTEMPT TO TIGHTEN THE TENSIONER AGAINST THE FOOT.**
13. Place the guard over the tensioner and position the guide pin into the hole in the backside of the stud.
14. Tighten the knurled interlock fitting by hand until it firmly presses against the tensioner. There should be no gap between the tensioner the interlock fitting.
15. Activate the custom connector from the rear of guard by pushing on the center with your thumb and pulling the tabs with your fore finger and middle finger. Push the assembly forward until it locks into the tensioner. Release fingers from the tabs and then remove thumb. Ensure connection is firmly engaged or else the tensioner will not be connected to the pump.



Picture 11B - Activation of the safety interlock

16. Connect the hydraulic pump to the tensioner and apply the appropriate hydraulic pressure per this table.

<u>Flange Position</u>	<u>Stud Size</u>	<u>Final Pressure</u>
Gas Turbine to Load Coupling	3" [76 mm]	25000 psi [1725 bar]

CUSTOMER'S INFORMATION BOX

CONTENTS ARE INDEPENDENT OF RIVERHAWK DOCUMENT CONTROL

GE DRAWING NUMBER	REV
373A4092	-



215 Clinton Road
New Hartford, NY 13413
Tel: +1 315 768 4855
Fax: +1 315 768 4941
Email: info@riverhawk.com

Load Coupling to H65 Generator	2-1/4" [58 mm]	24500 psi [1690 bar]
Load Coupling to H84 Generator	3" [76 mm]	25000 psi [1725 bar]
Load Coupling to H53 Generator	2-3/4" [71 mm]	23000 psi [1585 bar]
D602 Steam Turbine LP to H53 Generator	2-3/4" [71 mm]	23000 psi [1585 bar]
Load Coupling to W84 or H84 Generator	3" [76 mm]	25000 psi [1725 bar]
D600 Steam Turbine HPIP to LP	2-1/4" [58 mm]	24500 psi [1690 bar]
D600 Steam Turbine LP to H65 Generator	2-1/4" [58 mm]	24500 psi [1690 bar]

17. Turn the spanner ring with the pin wrench. Loosen and turn the nut approximately 3/4 of a turn. **(For the gas turbine end's bottom positions, where piping permits, use push or pull rack wrench to fully loosen the nut)**
18. Release the hydraulic pressure.

11.2.1 Removing the Tensioner from a Stud

The tensioner removal is accomplished by the follows steps:

1. Release the hydraulic pressure by either releasing the hand switch on the air-driven pump kit or by opening the valve on the manual pump kit and leave the valve open.
2. Unscrew the knurled interlock fitting at the end of the guard and remove the guard from the tensioner.
3. Unscrew the tensioner from puller screw.
4. Remove the foot the puller screw.
5. Unscrew the puller screw using an Allen wrench. Tapping the Allen wrench with a hammer or the use of a 3-4' breaker bar may be necessary to loosen the puller screw. Do not use an impact wrench as this can damage the puller screw.
6. Remove the spanner ring from the nut.

CUSTOMER'S INFORMATION BOX

CONTENTS ARE INDEPENDENT OF RIVERHAWK DOCUMENT CONTROL

GE DRAWING NUMBER	REV
373A4092	-



215 Clinton Road
New Hartford, NY 13413
Tel: +1 315 768 4855
Fax: +1 315 768 4941
Email: info@riverhawk.com

Revision N
Page 47 of 57

7. Move the tool to the next bolt hole following the tensioning pattern from the stretched record sheets at the end of this manual.

12.0 Storage Instructions

Follow these directions to properly store your hydraulic tensioner and hydraulic pump kit for long term storage and shipment.

If any damage is observed, contact the Riverhawk Company to schedule a maintenance inspection.

12.1 Hydraulic Pump Kit Storage

Refer to the Hydraulic Pump Kit Instruction Manual, IM-293 (GE VENDOC 373A4058). The latest revision may be obtained by contacting Riverhawk Company or thru www.riverhawk.com.

12.2 Hydraulic Tensioner Storage

Check the tensioner for any damage

1. Clean puller screw and check for any debris and dents.
2. Knurled interlock fitting should be clean and free to rotate.
3. Inspect the tensioner guard for any signs of damage. Bent guards must be replaced.

If any damage is observed, contact the Riverhawk Company to schedule a maintenance inspection.

Place the protective plastic cap on the guard's knurled interlock fitting.

Coat the hydraulic tensioner with a light coat of oil and place the tensioner into the original shipping container.

12.3 Store shipping container

Secure the hydraulic pump and hydraulic tensioner into the original shipping containers using the supplied wood braces.

Seal the original shipping container and store under shelter and protected from moisture, sand, and grit.

CUSTOMER'S INFORMATION BOX

CONTENTS ARE INDEPENDENT OF RIVERHAWK DOCUMENT CONTROL

GE DRAWING NUMBER	REV
373A4092	-



215 Clinton Road
New Hartford, NY 13413
Tel: +1 315 768 4855
Fax: +1 315 768 4941
Email: info@riverhawk.com

13.0 Frequently Asked Questions

This section contains some frequently asked questions and problems. If the steps listed here do not solve your problem, contact the Riverhawk Company thru our website, email, or phone call.

Q: Can I rent a hydraulic tensioner kit?

A: Yes, Riverhawk has rental tensioner kits available for most of our hydraulic tensioners.

Q: A tensioner has pulled itself out of the stud's conical threads. Can I continue using a tensioner on this stud?

A: No. Both the tensioner and the stud may have been damaged and must be removed from the work area. If the stud is tensioned, a Nut Buster repair kit, from Riverhawk, must be used to remove the damaged stud by drilling out the nut. Leaving a damaged stud in place will lead to a safety hazard on future outages.

Riverhawk can supply a replacement stud and nut based on the initial weight certification supplied with the hardware set (see section 4.2). The damaged tensioner should also be returned to Riverhawk for inspection and repair.

If a stud must be left in place, paint the damaged stud with a generous amount of indelible, bright-colored paint. Notify the appropriate GE Safety and Service personnel. Note the location of the damaged stud in the services notes for the machine.

Q: The hydraulic tensioner has been taken up to its final pressure. The final stretch length is short of the final stretch target. What is the next step?

A: Do not increase the hydraulic pressure. Check if the hydraulic pump is set to the right pressure. Install the tensioner and re-pressurize the tensioner to the final pressure then recheck the stretch measurement. If the stretch value is still short, remove the stud from the hole and re-measure the stud's initial length then try to install the stud again.

CUSTOMER'S INFORMATION BOX

CONTENTS ARE INDEPENDENT OF RIVERHAWK DOCUMENT CONTROL



215 Clinton Road
New Hartford, NY 13413
Tel: +1 315 768 4855
Fax: +1 315 768 4941
Email: info@riverhawk.com

GE DRAWING NUMBER	REV
373A4092	-

Revision N
Page 49 of 57

Q: The hydraulic tensioner has been taken up to its final pressure. The final stretch length is larger than the final stretch target. What is the next step?

A: Remove the stud from the bolt hole. Check if the hydraulic pump is set to the right pressure. Re-measure the stud's initial length then try to install the stud again.

Q: The tensioner is at its final pressure, but the nut cannot be loosened.

A: If the nuts cannot be loosened at the final pressure, continually increasing the pressure will not help and can be dangerous and in some cases make it harder to remove the nut. Check the nut to see if its set screws have been loosened. Check for and remove any corrosion around the nut's threads. Apply penetrating oil between the stud and the nut.

Q: How do I clean the conical threads on a stud?

A: The conical threads are best cleaned using a spiral wound brass brush in a drill as described in section 5.2.2

Q: During the initial steps of removing a tensioned stud, the stick-out length is found to be wrong.

A: Do not proceed. Contact Riverhawk for assistance. With the wrong stick-out length, the hydraulic tensioner has a limited stroke and may not work properly and can be damaged.

Q: The hydraulic pump appears to be leaking.

A: Check the hose connection to the hydraulic pump. If the 3/8" high pressure fitting is not assembled correctly as shown in section 7.2, it may look like the pump is leaking. If the problem continues, it may be necessary to open the pump kit. Contact Riverhawk for guidance.

CUSTOMER'S INFORMATION BOX

CONTENTS ARE INDEPENDENT OF RIVERHAWK DOCUMENT CONTROL



215 Clinton Road
New Hartford, NY 13413
Tel: +1 315 768 4855
Fax: +1 315 768 4941
Email: info@riverhawk.com

GE DRAWING NUMBER	REV
373A4092	-

- Q:** The hydraulic hose has a collar on it that can't be moved by hand
- A:** The hydraulic fitting is shown in section 7.2. The collar is sometimes held in place with a thread locking compound. This prevents the collar from moving too easily. It may be necessary to adjust this collar with a set of vise-grip pliers. Be careful to not strip the threads off the tube or hose end.

14.0 Revision History

Revision Letter	Effective Date	Description
N	Nov 28, 2023	Added GE 310T2393 and D602 to title page; Inserted section 2.12; Inserted Figure 6P; Updated Picture 10B; Added D602 Steam Turbine LP to Generator to pressure charts in section 9.1, 9.3, and 11.2
M	Aug 19, 2022	HT-9744 supersedes HT-8194
L	Apr 5, 2022	Updated EC Declaration of Conformity; Added UKCA Declaration of Conformity
K	Mar 26, 2021	Added GE 138T7456 and 7HA.03 to H65 to title page; Revised sections 2.7 and 2.13; Inserted section 2.14; Inserted figure 6M
J	Oct 22, 2020	Updated appendixes B1 and B3
H	May 21, 2020	Added 7HA.03 and 132T0517 to title page; Added 132T0517P0006 and P0010 to section 2.8; Inserted sections 2.12 and 2.13; Added 132T0517P0002, P0003, and P0004 to section 2.14; Inserted Figure 6L; Added 7HA.03 piping note to sections 8.2 and 11.2

CUSTOMER'S INFORMATION BOX

CONTENTS ARE INDEPENDENT OF RIVERHAWK DOCUMENT CONTROL



215 Clinton Road
 New Hartford, NY 13413
 Tel: +1 315 768 4855
 Fax: +1 315 768 4941
 Email: info@riverhawk.com

GE DRAWING NUMBER	REV
373A4092	-

Instruction Manual IM-379

Revision Letter	Effective Date	Description
G	Apr 23, 2020	Added D600, 134T9605P0005, 134T9605P0007, 134T9605P0008, and 134T9605P0011 to the title page; Rearranged appendices in Table of Contents; Inserted section 2.11; Added 134T9605P0007 to section 2.12; Inserted Figure 6F; Inserted Figure 6K; Added D600 to pressure tables in sections 9.1, 9.3, and 11.2
F	Jul 12, 2019	Added 121T1044P0012 thru P0017 to the title page; Inserted sections 2.4, 2.6, and 2.10; Revised section 2.11; Inserted Figure 6E; Added Load Coupling to W84 or H84 Generator to pressure charts in sections 9.1, 9.3, and 11.2; Added Appendix B5
E	Nov 11, 2018	HF-8485 was HF-8182 in section 2.3
D	Aug 9, 2018	Revised section 10.2
C	Apr 18, 2018	Added 128T2123, 7HA.02-H53, and LC-H53 to the title page; Added Appendix B4 to table of contents; Added 128T2123, 7HA.02-H53, and LC-H53 to section 2; Added HT-8194 to section 4.5; Added Figures 6C and 6D and Picture 6G to section 6; Added Picture 8G and Figure 8H to section 8; Added Load Coupling to H53 Generator to tables in section 9; Added 2-3/4" stud size to section 10.1; Added Load Coupling to H84 Generator and Load Coupling to H53 Generator to section 11;
B	Jul 11, 2017	Added GE 116T6209P0007 thru 116T6209P0011 and GE 121T1044P0007 thru 121T1044P0011 on the title page; Added GEN-H84 to the title page and section 2; Added sections 2.2, 2.5, and 10.2; Revised sections 3.0 and 11.2 for windage plugs
A	Jul 7, 2016	Added GE 121T1044 to title page and section 2; Revised descriptions of Pictures 6C and 6D; Added LC/GEN 3" to sections 9.1, 9.3, and 11.2
-	Jan 7, 2016	Released

CUSTOMER'S INFORMATION BOX

CONTENTS ARE INDEPENDENT OF RIVERHAWK DOCUMENT CONTROL



215 Clinton Road
 New Hartford, NY 13413
 Tel: +1 315 768 4855
 Fax: +1 315 768 4941
 Email: info@riverhawk.com

GE DRAWING NUMBER	REV
373A4092	-

Appendix A1

EC Declaration of Conformity

Manufacturer: Riverhawk Company
Address: 215 Clinton Road
New Hartford, NY 13413, USA

The hydraulic pump and bolt tensioning tool described in this manual are used for installing and applying tension to large bolts that are specifically designed by Riverhawk Company to be tensioned hydraulically.

All applicable sections of European Directive 2006/42/EC for machinery have been applied and fulfilled in the design and manufacture of the hydraulic pump and bolt tensioning tool described in this manual. Reference also ISO 12100:2010, ISO 4413:2010, and ISO 4414:2010.

Furthermore, this equipment has been manufactured under the Riverhawk quality system per EN ISO 9001:2015

Consult the Declaration of Conformance included with the shipment of this equipment that identifies the authorized Riverhawk representative, applicable serial numbers, and appropriate signature.

CUSTOMER'S INFORMATION BOX

CONTENTS ARE INDEPENDENT OF RIVERHAWK DOCUMENT CONTROL

GE DRAWING NUMBER	REV
373A4092	-



215 Clinton Road
New Hartford, NY 13413
Tel: +1 315 768 4855
Fax: +1 315 768 4941
Email: info@riverhawk.com

Revision N
Page 53 of 57

Appendix A2

UKCA Declaration of Conformity

Manufacturer: Riverhawk Company
Address: 215 Clinton Road
New Hartford, NY 13413, USA

The hydraulic pump and bolt tensioning tool described in this manual are used for installing and applying tension to large bolts that are specifically designed by Riverhawk Company to be tensioned hydraulically.

All applicable sections of Supply of Machinery (Safety) 2008 have been applied and fulfilled in the design and manufacture of the hydraulic pump and bolt tensioning tool described in this manual. Reference also ISO 12100:2010, ISO 4413:2010, and ISO 4414:2010.

Furthermore, this equipment has been manufactured under the Riverhawk quality system per EN ISO 9001:2015

Consult the Declaration of Conformance included with the shipment of this equipment that identifies the authorized Riverhawk representative, applicable serial numbers, and appropriate signature.

CUSTOMER'S INFORMATION BOX

CONTENTS ARE INDEPENDENT OF RIVERHAWK DOCUMENT CONTROL

GE DRAWING NUMBER	REV
373A4092	-



215 Clinton Road
New Hartford, NY 13413
Tel: +1 315 768 4855
Fax: +1 315 768 4941
Email: info@riverhawk.com

Revision N
Page 54 of 57

Appendix B1

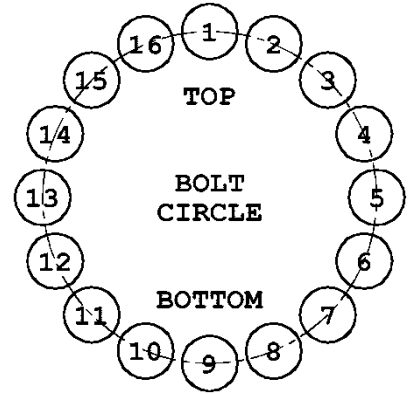
STRETCH RECORD SHEET FOR
THE 16-BOLT CIRCLE PATTERN

TURBINE NUMBER:

DATE:

TECHNICIAN:

SUPERVISOR:



HOLE NUMBER	STARTING MEASUREMENT	FINAL MEASUREMENT	FINAL GAUGE READING
1			
9			
2			
10			
3			
11			
4			
12			
5			
13			
6			
14			
7			
15			
8			
16			

CUSTOMER'S INFORMATION BOX

CONTENTS ARE INDEPENDENT OF RIVERHAWK DOCUMENT CONTROL



215 Clinton Road
New Hartford, NY 13413
Tel: +1 315 768 4855
Fax: +1 315 768 4941
Email: info@riverhawk.com

GE DRAWING NUMBER	REV
373A4092	-

Appendix B2

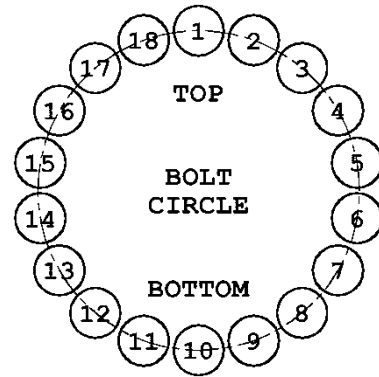
**STRETCH RECORD SHEET FOR
THE 18-BOLT CIRCLE PATTERN**

TURBINE NUMBER:

DATE:

TECHNICIAN:

SUPERVISOR:



HOLE NUMBER	STARTING LENGTH	FINAL LENGTH	FINAL STRETCH
1			
10			
2			
11			
3			
12			
4			
13			
5			
14			
6			
15			
7			
16			
8			
17			
9			
18			

CUSTOMER'S INFORMATION BOX

CONTENTS ARE INDEPENDENT OF RIVERHAWK DOCUMENT CONTROL



215 Clinton Road
New Hartford, NY 13413
Tel: +1 315 768 4855
Fax: +1 315 768 4941
Email: info@riverhawk.com

GE DRAWING NUMBER	REV
373A4092	-

Appendix B3

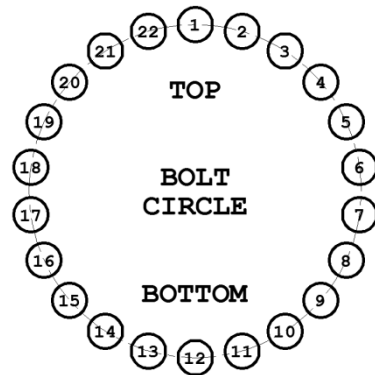
STRETCH RECORD SHEET FOR
THE 22-BOLT CIRCLE PATTERN

TURBINE NUMBER:

DATE:

TECHNICIAN:

SUPERVISOR:



HOLE NUMBER	STARTING LENGTH	FINAL LENGTH	FINAL STRETCH
1			
12			
2			
13			
3			
14			
4			
15			
5			
16			
6			
17			
7			
18			
8			
19			
9			
20			
10			
21			
11			
22			

CUSTOMER'S INFORMATION BOX

CONTENTS ARE INDEPENDENT OF RIVERHAWK DOCUMENT CONTROL



215 Clinton Road
New Hartford, NY 13413
Tel: +1 315 768 4855
Fax: +1 315 768 4941
Email: info@riverhawk.com

GE DRAWING NUMBER	REV
373A4092	-