



**INSTRUCTION MANUAL IM-366**  
**For Gas Turbine and Steam**  
**Turbine Tensioned Studs and Nuts**

Applicable Bolting Connections

Fr. 9E Gas Turbine to ELIN 9A4 or 9A5 Generator	Fr. 9E.04 Gas Turbine to A72s Generator
Load Coupling to ELIN 9A4 Generator	Fr. 9E.04 Gas Turbine to Load Coupling
Steam Turbine to ELIN 9A4 Generator	Load Coupling to A72s Generator
Steam Turbine to ELIN 9A5 Generator	
	A200 HPIP Steam Turbine to 9A5 Generator

Applicable GE Ordering Sheet Part Numbers

137A3350P001	382A6162P0001	301T7451P0001	301T9824P0001
137A3350P005	382A6162P0002	301T7451P0002	301T9824P0002
137A3350P006	382A6162P0005	301T7451P0003	
137A3350P007		301T7451P0004	
		301T7451P0005	

**CUSTOMER'S INFORMATION BOX**

CONTENTS ARE INDEPENDENT OF RIVERHAWK DOCUMENT CONTROL

	<b>GE Power &amp; Water</b>	GENERAL ELECTRIC COMPANY	
<b><u>VENDOR SUPPLIED</u></b>			
GE NOT TO REVISE. GE REVISION LEVEL IS SHOWN ON THIS APPLIQUE. THIS DOCUMENT IS FILED UNDER THE GE DRAWING NUMBER.			
THIS DOCUMENT SHALL BE REVISED IN ITS ENTIRETY. ALL SHEETS OF THIS DOCUMENT ARE THE SAME REVISION LEVEL AS INDICATED IN THIS VENDOR SUPPLIED DRAWING APPLIQUE.			
MLI:	_____	OF	_____
GE SIGNATURES	DATE	GE DRAWING NUMBER	REV
CHECKED:		<b>373A4079</b>	
ISSUED:			

The Riverhawk Company reserves the right to update this document without dissemination or notice. The latest revision may be obtained by contacting Riverhawk Company or thru [www.riverhawk.com](http://www.riverhawk.com).



Repairs – Rentals  
Field Service

215 Clinton Road  
New Hartford, NY 13413  
Tel: +1 315 768 4855  
Fax: +1 315 768 4941  
Email: [info@riverhawk.com](mailto:info@riverhawk.com)

**Table of Contents**

Section	Description	Page Number
1.0	Cautions and Safety Warnings	3
2.0	Scope and GE Part Number Cross Reference	4
3.0	Quick Checklist	7
4.0	General Preparations	11
5.0	Hardware Set Preparations	13
6.0	Stud and Nut Assembly	15
7.0	Hydraulic Tensioner Equipment Assembly	19
8.0	Assembly of Tensioner on Stud	21
9.0	Stud Tensioning	25
10.0	Nut Thread Locking and Windage Plug Installation	28
11.0	Stud and Nut Removal	32
12.0	Storage Instructions	36
13.0	Frequently Asked Questions	37
14.0	Revision History	39
Appendix A1	EC Declaration of Conformity	40
Appendix A2	UKCA Declaration of Conformity	41
Appendix B1	16-Bolt Tensioning Pattern (GT-LC) Record Sheet	42
Appendix B2	14-Bolt Tensioning Pattern (LC-GEN) Record Sheet	43
Appendix B3	14-Bolt Tensioning Pattern (ST-GEN) Record Sheet	44

**CUSTOMER'S INFORMATION BOX**  
 CONTENTS ARE INDEPENDENT OF RIVERHAWK DOCUMENT CONTROL

GE DRAWING NUMBER	REV
<b>373A4079</b>	



215 Clinton Road  
 New Hartford, NY 13413  
 Tel: +1 315 768 4855  
 Fax: +1 315 768 4941  
 Email: info@riverhawk.com

## 1.0 Cautions and Safety Warnings

### WARNING

**Improper tool use and the failure to follow the correct procedures are the primary root causes of tool failures and personal injuries. A lack of training or experience can lead to incorrect hardware installation or incorrect tool use. Only trained operators with careful, deliberate actions should use hydraulic tensioners. Contact Riverhawk Company with any training needs.**

### WARNING

Risk of high-pressure hydraulic fluid injection. Riverhawk tools operate under high pressure. Thoroughly inspect all hoses and connections for damage or leaks prior to using this equipment.

### CAUTION

Personal injury and equipment damage can occur if the proper health and safety codes and procedures are not followed. Contact the site's health and safety office to determine all applicable safety rules and regulations.

### WARNING

The proper personal protective equipment must be worn at all times. Riverhawk recommends at a minimum, safety glasses, long sleeve shirt, hard hat, heavy work gloves, and steel toe shoes.

### CAUTION

It is especially important to check the condition of the conical thread used to tension the stud. Thread damage from previous abuse can lead to failure of the stud or tensioning equipment

### CAUTION

Riverhawk recommends that the tensioner should be returned to Riverhawk for periodic inspections. Replacement of obsolete tensioners is recommended. Functional upgrades are also recommended. The Riverhawk Service Returns Coordinator should be notified 3-6 months prior to a planned outage to schedule an inspection service.

### WARNING

A damaged burst disc must be replaced with a with a burst disc of the same design and pressure rating. Do not substitute a damaged burst disc with a different disc type, a different pressure rating, or a foreign object.



215 Clinton Road  
New Hartford, NY 13413  
Tel: +1 315 768 4855  
Fax: +1 315 768 4941  
Email: info@riverhawk.com

#### CUSTOMER'S INFORMATION BOX CONTENTS ARE INDEPENDENT OF RIVERHAWK DOCUMENT CONTROL

GE DRAWING NUMBER	REV
373A4079	

**WARNING**

To avoid failure, ensure safety, and proper operation, the tensioner assembly must be installed on a stud in the flange before bleeding and pressurizing the tensioner. Do not use the tensioner at any pressure unless the tool is installed on a stud in a flange.

**CAUTION**

Personal injury and equipment damage can occur if the puller screw is not securely engaged with the tapered threads of the stud. Proper engagement is achieved when the puller screw is tight in the stud and the tensioner foot is free to turn.

**WARNING**

The safety interlock guard must be in place at all times. When the tensioner is pressurized hands must be kept out of designated areas to avoid any potential for personal injury.

**CAUTION**

Before threading the puller screw into the stud, carefully check the cleanliness of both the stud's and the puller screw's conical threads. Apply a light coat of clean turbine oil or a spray lubricant to the puller screw. This procedure will ease assembly and assure positive mating of the threads before tightening. Do not use "Never Seize" on the conical threads.

**CAUTION**

Do not tighten the nut while the tool is coming up to pressure; wait until pressure is achieved before attempting to tighten the nut with the spanner ring. If the tool is not properly installed, the tool could jump off the stud while coming up to pressure.

**CAUTION**

Do not exceed the maximum pressure marked on the tensioner. Excessive pressure can damage the stud and puller screw.

**WARNING**

**FIRE HAZARD:** DO NOT heat when tensioner assembly is in place. Personal injury or equipment damage may occur. Use of an Oxy-Acetylene torch is not recommended

**WARNING**

Do not use a hydraulic tensioner to remove a stud with damaged conical threads.

**2.0 Scope**

This document describes the procedure to be used to install the stud and nut sets supplied by the Riverhawk Company in the flanges at the Turbine/Coupling, Coupling/Generator, and Steam Turbine/Generator connections.



215 Clinton Road  
New Hartford, NY 13413  
Tel: +1 315 768 4855  
Fax: +1 315 768 4941  
Email: info@riverhawk.com

**CUSTOMER'S INFORMATION BOX**  
CONTENTS ARE INDEPENDENT OF RIVERHAWK DOCUMENT CONTROL

GE DRAWING NUMBER	REV
373A4079	

The various frame configurations covered in this manual are listed in Sections 2.1 and 2.7 with differences as related to connective hardware defined. Listed also are the pertinent hardware drawings (HF-xxxx). These drawings as well as tooling drawings (HT-xxxx) form part of this manual.

**2.1 Frame 9E Gas Turbine to ELIN 9A4 or 9A5 Generator**

GE Part Number	Riverhawk P/N	GE VENDOC P/N
137A3350P001	HF-1785	GE 359B2516
137A3350P005	HF-1785	GE 359B2516

The hydraulic tooling used for installation and removal is Riverhawk HT-6690 kit.

These hardware drawings depict the stud and nut set for the Gas Turbine to Load Coupling (2-3/4" size, Qty 16) as well as the Load Coupling to Generator (2-3/4" size, Qty 14).

**2.2 Steam Turbine to ELIN 9A4 or 9A5 Generator**

GE Part Number	Riverhawk P/N	GE VENDOC P/N
137A3350P007	HF-1093	GE 359B2525

The hydraulic tooling used for installation and removal is Riverhawk HT-6746 kit.

These hardware drawings depict the stud and nut set for the Steam Turbine to Generator (2-3/4" size, Qty 14).

GE Part Number	Riverhawk P/N	GE VENDOC P/N
382A6121P0001	HF-1093	GE 359B2525
382A6121P0002	HF-1093	GE 359B2525

The hydraulic tooling used for installation and removal is Riverhawk HT-9569 kit.

These hardware drawings depict the stud and nut set for the Steam Turbine to Generator (2-3/4" size, Qty 14).

**2.3 Frame 9E.04 Gas Turbine to A72s Generator**

GE Part Number	Riverhawk P/N	GE VENDOC P/N
301T7451P0001	HF-9615	GE 101B0798

The hydraulic tooling used for installation and removal is Riverhawk HT-9616 kit.



215 Clinton Road  
 New Hartford, NY 13413  
 Tel: +1 315 768 4855  
 Fax: +1 315 768 4941  
 Email: info@riverhawk.com

**CUSTOMER'S INFORMATION BOX**  
 CONTENTS ARE INDEPENDENT OF RIVERHAWK DOCUMENT CONTROL

GE DRAWING NUMBER	REV
373A4079	

These hardware drawings depict the stud and nut set for the Gas Turbine to Load Coupling (2-3/4" size, Qty 16) as well as the Load Coupling to Generator (2-1/4" size, Qty 14).

**2.4 Frame 9E.04 Gas Turbine to Load Coupling**

GE Part Number	Riverhawk P/N	GE VENDOC P/N
301T7451P0005	HF-9674	GE 101B0800

The hydraulic tooling used for installation and removal is Riverhawk HT-6690 kit.

These hardware drawings depict the stud and nut set for the Gas Turbine to Load Coupling (2-3/4" size, Qty 16).

**2.5 Load Coupling to A72s Generator**

GE Part Number	Riverhawk P/N	GE VENDOC P/N
301T7451P0006	HF-9675	GE 101B0801

The hydraulic tooling used for installation and removal is Riverhawk HT-9616 kit.

These hardware drawings depict the stud and nut set for the Load Coupling to Generator (2-1/4" size, Qty 14).

**2.6 A200 HPIP Steam Turbine to 9A5 Generator**

GE Part Number	Riverhawk P/N	GE VENDOC P/N
301T9824P0001	HF-9491	GE 101B0802

The hydraulic tooling used for installation and removal is Riverhawk HT-6746 kit.

These hardware drawings depict the stud, nut, and windage plug set for the A200 HPIP Steam Turbine to Generator (2-3/4" size, Qty 14).

**2.7 Hydraulic Tooling**

GE Part Number	Riverhawk P/N	GE VENDOC P/N
137A3350P006	HT-6690	GE 101B0641
	AP-0532	GE 359B2502
382A6121P0005	HT-9569	GE 101B0797
	AP-0532	GE 359B2502



215 Clinton Road  
 New Hartford, NY 13413  
 Tel: +1 315 768 4855  
 Fax: +1 315 768 4941  
 Email: info@riverhawk.com

**CUSTOMER'S INFORMATION BOX**  
 CONTENTS ARE INDEPENDENT OF RIVERHAWK DOCUMENT CONTROL

GE DRAWING NUMBER	REV
373A4079	

301T7451P0002	HT-9616 AP-0532	GE 101B0799 GE 359B2502
301T7451P0003	HT-6690 AP-0532	GE 101B0641 GE 359B2502
301T7451P0004	HT-9616 AP-0532	GE 101B0799 GE 359B2502
301T9824P0002	HT-6746 AP-0532	GE 101B0644 GE 359B2502

### 3.0 Quick Checklist

The following checklist is intended as a summary of the steps needed to use the Riverhawk-supplied equipment. New personnel or those experienced personnel who have not used the Riverhawk equipment recently are encouraged to read the entire manual.

#### EQUIPMENT INSPECTION

- Check oil level in hydraulic pump.
- Check air pressure at 80psi [5.5 bar] minimum. (For air-driven pumps)
- Check hydraulic hose for damage.
- Test pump.
- Inspect tensioner for any damage.

#### NUT, STUD, AND WINDAGE PLUG PREPARATION

- Inspect studs, nuts, and windage plugs (if included) for any damage.
- Clean the studs, nuts, and windage plugs (if included).
- Measure and record stud lengths. (VERY IMPORTANT)
- Lubricate the stud's threads with clean turbine oil or spray lubricant. Lubricate the nut's threads and nut face with clean turbine oil or spray lubricant.



215 Clinton Road  
 New Hartford, NY 13413  
 Tel: +1 315 768 4855  
 Fax: +1 315 768 4941  
 Email: info@riverhawk.com

**CUSTOMER'S INFORMATION BOX**  
 CONTENTS ARE INDEPENDENT OF RIVERHAWK DOCUMENT CONTROL

GE DRAWING NUMBER	REV
<b>373A4079</b>	

- Install studs and nuts into the flange.
- Set stick-out dimension on the load coupling side of the flange.
- With Allen wrench in backside of stud, firmly seat backside nut using spanner ring and pin wrench.
- Verify stick-out measurement (**VERY IMPORTANT**)

**TENSIONING (Bolt Installation)**

- Check tensioner drawing for correct parts and part numbers.
- Apply a light coat of clean turbine oil or spray lubricant to the puller screw. **DO NOT USE "NEVER SEIZE" ON THE CONICAL THREADS.**
- Install the spanner ring onto the nut.
- Thread the puller screw into the stud.
- Insert an Allen wrench into the back side of the stud.

Insert another Allen wrench into the puller screw. While holding the stud still, tighten the puller screw until tight and then loosen the puller screw 1/2 of a turn. Some cases may require the use of the GT-6516 puller screw shim kit to ease removal of puller screw after tensioning. Follow instruction manual IM-336 (GE VENDOCS 373A4074) for use of puller screw shim kit.

- Hand tighten the puller screw and leave hand tight. **DO NOT BACK OFF PULLER SCREW.**
- Slide the foot assembly over the puller screw and orientate the foot into position.
- Thread the tensioner onto puller screw until it stops. There should be a 1/16" to 3/16" gap between the foot and tensioner.
- Place the guard over the tensioner and position guide pin into the hole in the backside of the stud.
- Tighten the guard's clamping screw by hand until guard is pressed firmly against tensioner (no gap).



215 Clinton Road  
 New Hartford, NY 13413  
 Tel: +1 315 768 4855  
 Fax: +1 315 768 4941  
 Email: info@riverhawk.com

**CUSTOMER'S INFORMATION BOX**  
 CONTENTS ARE INDEPENDENT OF RIVERHAWK DOCUMENT CONTROL

GE DRAWING NUMBER	REV
373A4079	



- Push the center of the interlock fitting towards the tensioner while pulling back on the fitting's pull tabs until it locks onto the tensioner and release the pull tabs.
- Connect the hydraulic pump to the tensioner and tension to 50%. Consult manual for correct pressure.
- Use the pin wrench to turn the spanner ring to firmly tighten nut with 20 ft·lbs [27 N·m] of torque.
- Release pressure and allow the tensioner to fully retract.
- Disconnect the hose and release the interlock fitting by pushing the center of the interlock fitting towards the tensioner while pulling back on the fitting's pull tabs.
- Loosen the knurled interlock fitting and remove the guard.
- Unscrew the tensioner from the puller screw.
- Remove the foot, puller screw and spanner ring.
- Move to the next stud in the pattern. Tension all studs to 50% before proceeding to final pressure.
- Repeat above steps at final pressure.
- Measure final stud length and record on stretch datasheets. Calculate final stretch measurement.
- Torque the nuts' set screws.
- If required, install the windage plugs and torque their set screws. Refer to Riverhawk IM-157 (GE 373A4023)

**DETENSIONING (Stud Removal)**

- If present, loosen windage plugs' set screws and remove the windage plugs from the studs. Refer to Riverhawk IM-157 (GE 373A4023)
- Loosen nuts' set screws



215 Clinton Road  
New Hartford, NY 13413  
Tel: +1 315 768 4855  
Fax: +1 315 768 4941  
Email: info@riverhawk.com

**CUSTOMER'S INFORMATION BOX**  
CONTENTS ARE INDEPENDENT OF RIVERHAWK DOCUMENT CONTROL

GE DRAWING NUMBER	REV
373A4079	

- Inspect and clean studs' conical threads. **Do not continue until ALL debris is removed from the threads!** See instruction manual IM-220. **Do not try to use the tensioner to remove a damaged stud!**
- Apply a light coat of clean turbine oil or spray lubricant to the puller screw. **DO NOT USE "NEVER SEIZE" ON THE CONICAL THREADS.**
- Install the spanner ring onto the nut.
- Thread the puller screw into the stud.
- Insert an Allen wrench into the puller screw. Tighten the puller screw until tight and then loosen the puller screw 1/2 of a turn.
- Hand tighten the puller screw and leave hand tight. **DO NOT BACK OFF PULLER SCREW.**
- Slide the foot assembly over the puller stud and orientate the foot into position.
- Thread the tensioner onto puller screw until it stops. There should be a 1/16" to 3/16" gap between the foot and tensioner.
- Place the guard over the tensioner and position guide pin into the hole in the backside of the stud.
- Tighten the guard's clamping screw by hand until the guard is pressed firmly against tensioner (no gap).
- Push the center of the interlock fitting towards the tensioner while pulling back on the fitting's pull tabs until it locks onto the tensioner and release the pull tabs.
- Connect the hydraulic pump to the tensioner and tension to final pressure. Consult manual section 9 for correct pressure.
- Loosen nut with the spanner ring and pin wrench.
- Release pressure and allow the tensioner to fully retract.
- Disconnect the hose and release the interlock fitting by pushing the center of the interlock fitting towards the tensioner while pulling back on the fitting's pull tabs.
- Loosen the knurled interlock fitting and remove the guard.



215 Clinton Road  
New Hartford, NY 13413  
Tel: +1 315 768 4855  
Fax: +1 315 768 4941  
Email: info@riverhawk.com

**CUSTOMER'S INFORMATION BOX**  
CONTENTS ARE INDEPENDENT OF RIVERHAWK DOCUMENT CONTROL

GE DRAWING NUMBER	REV
373A4079	

- Unscrew the tensioner from the puller screw.
- Remove the foot, puller screw, and spanner ring. It may be necessary to insert an Allen wrench into the backside of the stud to remove the puller screw.
- Move to next stud in pattern

#### 4.0 General Preparations

Read and understand all instructions before installing and tensioning studs.

Operators should be trained or have previous experience using Riverhawk tensioning equipment. Training will minimize the chance of improper use of the equipment.

The hydraulic tooling including the hydraulic hoses should be inspected prior to use. Inspection guidelines are listed in the following sub-sections.

This equipment produces very high hydraulic pressures and very high forces. Operators must exercise caution and wear the appropriate personal protective equipment when handling and operating the hydraulic tooling.

High-pressure oil from the hydraulic pump pressurizes the tensioner which generates a very large force that actually stretches the stud. As the stud is stretched the nut lifts off the flange. The nut is then turned by hand using the supplied spanner ring. Once the nut is tight against the flange, the pressure in the tensioner is released. The hardware is now clamping the flange together.

#### 4.1 Machine Preparation

The flange to be tensioned must be fully closed prior to positioning of studs in the flanges. Turning the turbine and generator shafts is not required, but may be advantageous. Also, it will be advantageous to remove as many obstructions as possible from the flange area, such as speed probes, shipping plates, and conduit.

#### 4.2 Hardware – Balance

The studs are supplied in component balanced sets. A stud can be exchanged with another in its set without affected the overall balance of the equipment. Do not exchange a stud from one set with another stud from a different set. When shipped from Riverhawk, the studs are not



215 Clinton Road  
New Hartford, NY 13413  
Tel: +1 315 768 4855  
Fax: +1 315 768 4941  
Email: info@riverhawk.com

CUSTOMER'S INFORMATION BOX  
CONTENTS ARE INDEPENDENT OF RIVERHAWK DOCUMENT CONTROL

GE DRAWING NUMBER	REV
373A4079	

assigned to any specific hole in the load coupling flange; this is optional and can be done at the installation site. The set size is determined by the relevant GE order drawing (see section 2.0).

The nuts are supplied in component balanced sets. A nut can be exchanged with another in its set without affecting the overall balance of the equipment. Do not exchange a nut from one set with another nut from a different set. When shipped from Riverhawk, the nuts are not assigned to any specific hole in the load coupling flange; this is optional and can be done at the installation site. The set size is determined by the relevant GE order drawing (see section 2.0).

If included, the windage plugs are supplied in component balanced sets. A windage plug can be exchanged with another in its set without affecting the overall balance of the equipment. Do not exchange a windage plug from one set with another windage plug from a different set. When shipped from Riverhawk, the windage plugs are not assigned to any specific hole in the load coupling flange; this is optional and can be done at the installation site. The set size is determined by the relevant GE order drawing (see section 2.0).

A weight balance certification is supplied with each order. Store this certification in an appropriate location as it will be needed for the purchase of replacement equipment.

#### 4.3 Tensioner – Care and Handling

When not in use, the tensioner shall be maintained in a clean environment and all caps and plugs for hydraulic openings and fittings must be in place.

When in use, the tensioner shall be protected from sand and grit.

See section 12 for long term storage requirements.

#### 4.4 Hand Tools

5/8" Wrench	3' to 4' Breaker Bar
3/4" Wrench	A set of Allen Wrenches (including 1/2")
13/16" Wrench	9" to 10" Micrometer

#### 4.5 Special Tools

Hydraulic Tensioner Kit:	HT-6690 Hydraulic Tensioner, 2-3/4" (reference GE VENDOC 101B0641)
	HT-6746 Hydraulic Tensioner, 2-3/4" (reference GE VENDOC 101B0644)



215 Clinton Road  
New Hartford, NY 13413  
Tel: +1 315 768 4855  
Fax: +1 315 768 4941  
Email: info@riverhawk.com

CUSTOMER'S INFORMATION BOX  
CONTENTS ARE INDEPENDENT OF RIVERHAWK DOCUMENT CONTROL

GE DRAWING NUMBER	REV
373A4079	

HT-9569 Hydraulic Tensioner, 2-3/4"  
(reference GE VENDOC 101B0797)

HT-9616 Hydraulic Tensioner, 2-3/4" and 2-1/4"  
(reference GE VENDOC 101B0799)

Hydraulic Pump Kit:

AP-0532 Air-Operated Hydraulic Pump  
(recommended)  
(reference GE VENDOC 359B2502)

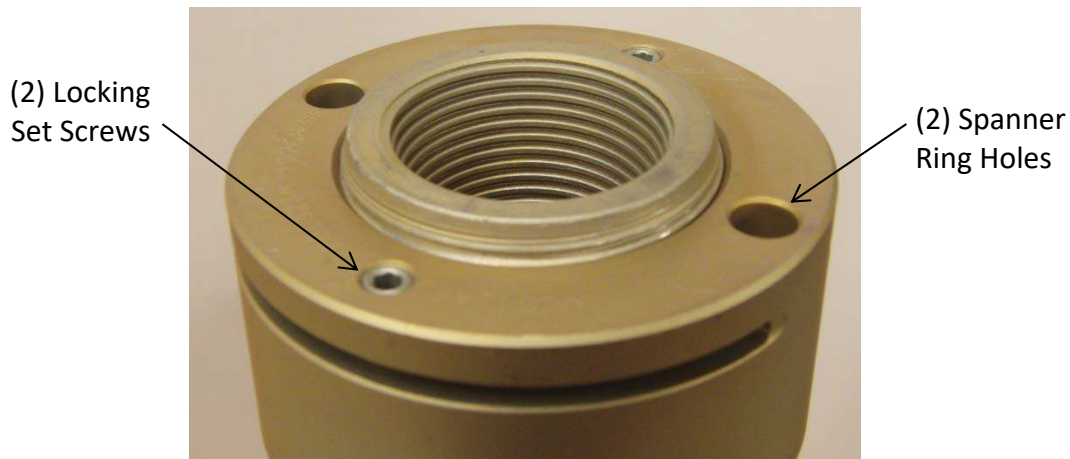
MP-0130 Manual Hand-Operated Hydraulic Pump  
(reference GE VENDOC 359B2506)

**CAUTION**

**Riverhawk recommends that the tensioners be returned to Riverhawk for periodic inspections. Replacement of obsolete tensioners is recommended. Functional upgrades are also recommended. The Riverhawk Service Returns Coordinator should be notified 3-6 months prior to a planned outage to schedule an inspection service.**

**5.0 Hardware Set Preparations**

**5.1 Nut Preparation**



**Picture 5A - Riverhawk Locknut**

If there is any visible damage on a nut, do not use the nut and contact General Electric or Riverhawk Company for a replacement nut. Please be prepared to supply the turbine number, weight certification, and digital photographs for evaluation.



215 Clinton Road  
New Hartford, NY 13413  
Tel: +1 315 768 4855  
Fax: +1 315 768 4941  
Email: info@riverhawk.com

**CUSTOMER'S INFORMATION BOX**  
CONTENTS ARE INDEPENDENT OF RIVERHAWK DOCUMENT CONTROL

GE DRAWING NUMBER	REV
373A4079	

### 5.1.1 Nut Cleaning - New Installations

For new installations, the nuts should come sealed from the factory and will need no cleaning.

### 5.1.2 Nut Cleaning - Old Installations

Previously installed nuts require cleaning. Refer to manual IM-220 "Cleaning Procedure of the Conical Threads on Riverhawk Studs" for instruction.

## 5.2 Stud Preparation

Check the stud for any visible damage. If there is any visible damage, do not use the stud and contact the Riverhawk Company for a replacement stud. Please be prepared to supply the turbine number, weight certification, and digital photographs for evaluation.

### CAUTION

**It is especially important to check the condition of the conical thread used to tension the stud. Thread damage from previous abuse can lead to failure of the stud or tensioning equipment.**

The conical threads of each stud must be clean of grit and dirt before installation or removal. This ensures the proper seating of the puller screw.

### 5.2.1 Stud Cleaning - New Installations

For new installations, the studs should come sealed from the factory and will need no cleaning.

### 5.2.2 Stud Cleaning - Old Installations

Previously installed studs may require cleaning.

Follow instruction manual IM-220 (GE VENDOCs 373A4025) for cleaning procedure of the conical threads on Riverhawk studs using a brass power brush. The latest revision may be obtained by contacting Riverhawk Company or thru [www.riverhawk.com](http://www.riverhawk.com).



Picture 5B - Brass Power Brush



215 Clinton Road  
New Hartford, NY 13413  
Tel: +1 315 768 4855  
Fax: +1 315 768 4941  
Email: [info@riverhawk.com](mailto:info@riverhawk.com)

CUSTOMER'S INFORMATION BOX  
CONTENTS ARE INDEPENDENT OF RIVERHAWK DOCUMENT CONTROL

GE DRAWING NUMBER	REV
373A4079	

### 5.3 Stud Length Measurement

Measure and record the initial lengths of the studs. The following suggestions will improve your results.

- Plan to start and finish any flange in the same day.
- Studs and flange must be at the same temperature.
- Number each stud with a marker for later stretch measurement tracking.
- Mark the location of measurement on stud end with a permanent marker.
- Measure each stud to nearest 0.001 inch (.01 mm).
- Record each measurement on the supplied record sheets.
- Do not allow the measuring instruments to sit in the sun.
- The same person should make all measurements.

### 6.0 Stud and Nut Assembly

Refer to the hardware assembly drawing (HF-xxxx) listed in Section 2.0 of this manual.

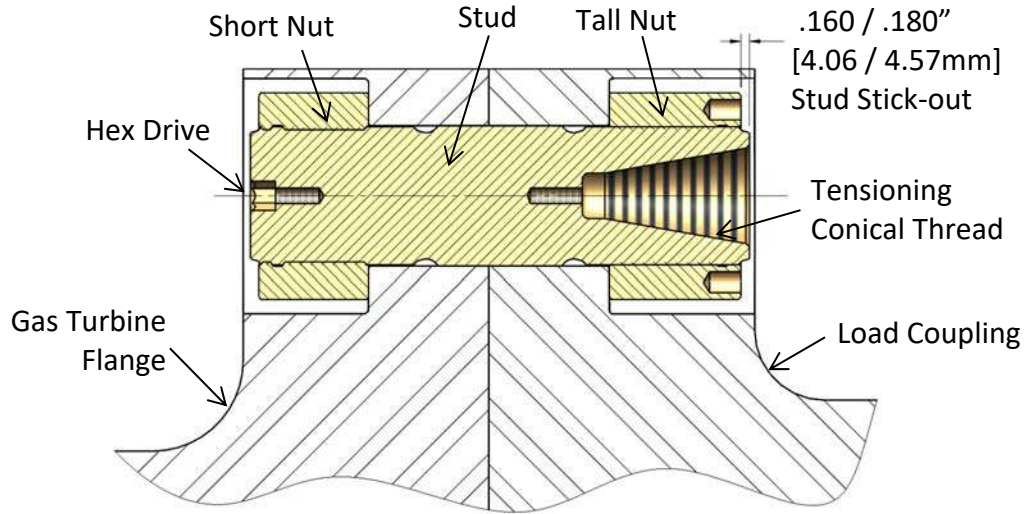
1. Assemble the cylindrical nut to the internal, conical thread end of the stud.
2. Lubricate the stud's threads with clean turbine oil or spray lubricant.
3. Lubricate the nut's threads and nut face with clean turbine oil or spray lubricant
4. Slide the stud and cylindrical nut assembly into the flange as shown in Figure 6A, 6B, 6C, and 6D.



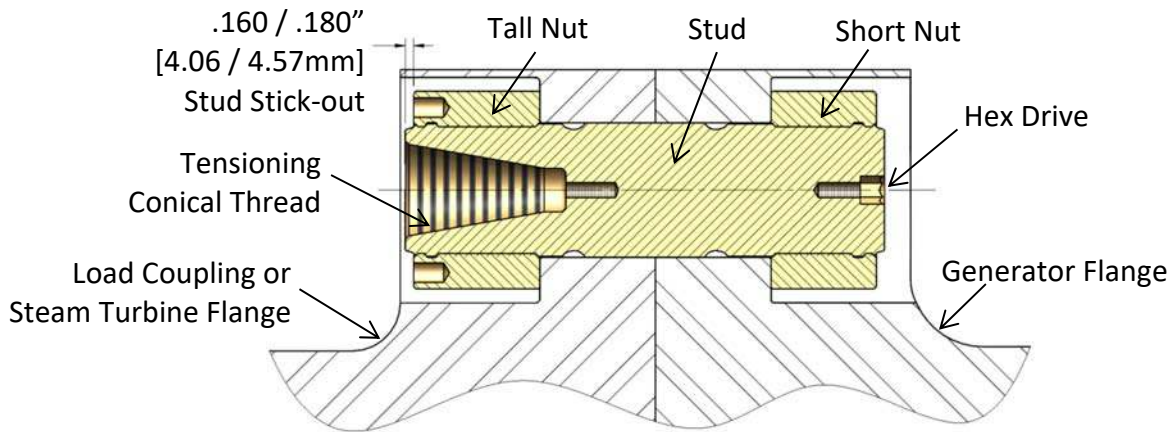
215 Clinton Road  
New Hartford, NY 13413  
Tel: +1 315 768 4855  
Fax: +1 315 768 4941  
Email: info@riverhawk.com

**CUSTOMER'S INFORMATION BOX**  
CONTENTS ARE INDEPENDENT OF RIVERHAWK DOCUMENT CONTROL

GE DRAWING NUMBER	REV
373A4079	



**Figure 6A** – Cross-section View of Gas Turbine to Load Coupling Bolted Flange Connection



**Figure 6B** – Cross-section View of Load Coupling or Steam Turbine to ELIN 9A4/9A5 Generator Bolted Flange Connection

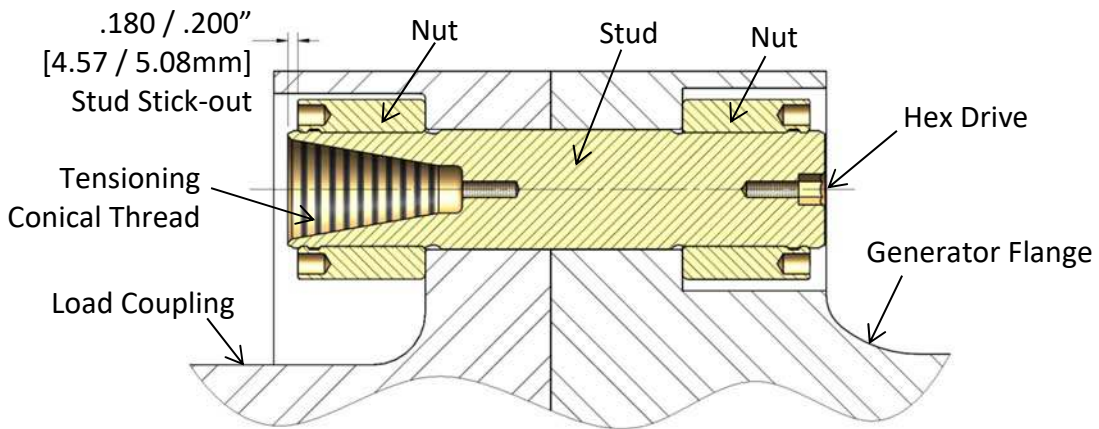


215 Clinton Road  
 New Hartford, NY 13413  
 Tel: +1 315 768 4855  
 Fax: +1 315 768 4941  
 Email: info@riverhawk.com

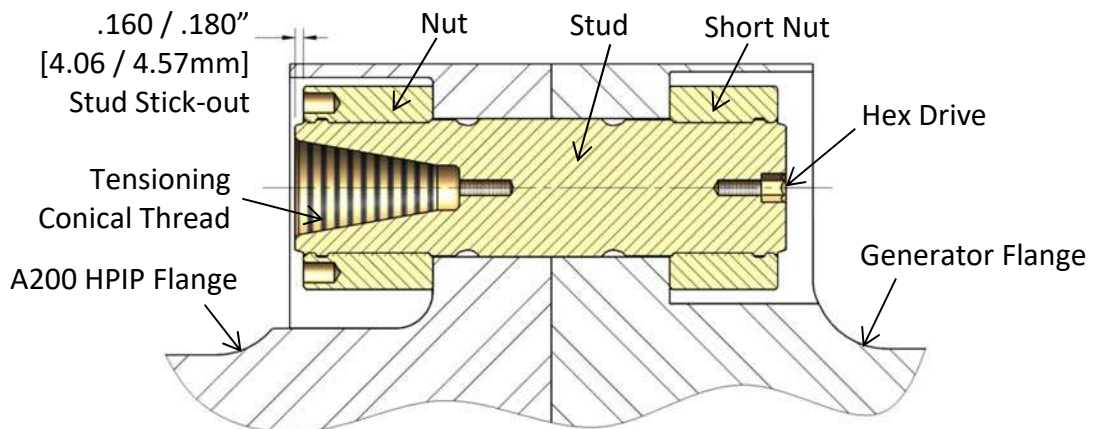
**CUSTOMER'S INFORMATION BOX**  
 CONTENTS ARE INDEPENDENT OF RIVERHAWK DOCUMENT CONTROL

GE DRAWING NUMBER	REV
373A4079	





**Figure 6C** – Cross-section View of Load Coupling or Steam Turbine to Alstom A72s Generator Bolted Flange Connection



**Figure 6D** – Cross-section View of A200 HPIP Steam Turbine to 9A5 Generator Bolted Flange Connection

5. Install the other nut on the backside.
6. Adjust the nut/stud assembly so that the stud sticks out (protrudes) from the face of the nut the amount shown. Best practice is to verify the stud stick-out dimension with the hardware set drawing for your application (see section 2). If you don't have a hardware set drawing, it can be found in the GE Vendocs system or contact Riverhawk Company.

**SETTING THE STUD STICK-OUT IS CRITICAL FOR PROPER TENSIONER OPERATION.** A metal stick-out gage may be provided with the tensioner to assist the operator in setting the protrusion dimension.



215 Clinton Road  
 New Hartford, NY 13413  
 Tel: +1 315 768 4855  
 Fax: +1 315 768 4941  
 Email: info@riverhawk.com

CUSTOMER'S INFORMATION BOX  
 CONTENTS ARE INDEPENDENT OF RIVERHAWK DOCUMENT CONTROL

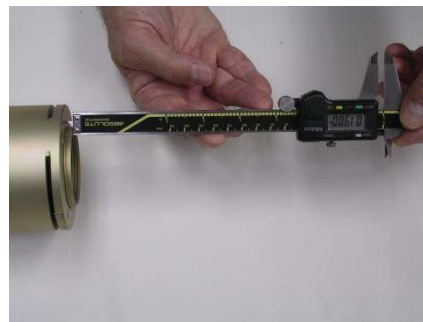
GE DRAWING NUMBER	REV
373A4079	



**Picture 6E** – Use of Stick-Out Gage  
(Stick-out gage appearance may vary)



**Picture 6F** – Use of Drop Gage to  
measure stick-out



**Picture 6G** – Use of Calipers to  
measure stick-out

7. With Allen wrench in backside of stud, firmly seat backside nut using spanner ring and pin wrench.
8. Recheck the stud stick-out length. If the stick-out length does not match the hardware drawing, adjust the nuts as necessary.
9. Measure and record starting stud installation gage reading.



215 Clinton Road  
New Hartford, NY 13413  
Tel: +1 315 768 4855  
Fax: +1 315 768 4941  
Email: info@riverhawk.com

**CUSTOMER'S INFORMATION BOX**  
CONTENTS ARE INDEPENDENT OF RIVERHAWK DOCUMENT CONTROL

GE DRAWING NUMBER	REV
<b>373A4079</b>	

## 7.0 Hydraulic Tensioner Equipment Assembly

### 7.1 Hydraulic Equipment Inspection

#### 7.1.1 Hydraulic Tensioner Inspection

#### CAUTION

**Riverhawk recommends that the tensioner be returned to Riverhawk for periodic inspections. Replacement of obsolete tensioners is recommended. Functional upgrades are also recommended. The Riverhawk Service Returns Coordinator should be notified 3-6 months prior to a planned outage to schedule an inspection service.**

This tensioner does not require bleeding. See section 8.3

#### WARNING

**To avoid failure, ensure safety, and proper operation, the tensioner assembly must be installed on a stud in the flange before pressurizing the tensioner. Do not use the tensioner at any pressure unless the tool is installed on a stud in a flange.**

Clean puller screw and check for any debris and dents.

Inspect the tensioner guard for any signs of damage including cracked welds. Any guards modified in the field should be replaced. Bent guards should be replaced.

Inspect the outside of the tensioner for discoloration patterns that may indicate submersion and internal damage.

Perform an inventory of the loose equipment supplied with the tensioner. An inventory list is provided on the tensioner's technical drawing (Riverhawk HT-xxxx listed in section 2.0 and 4.5). Replacement parts are available from Riverhawk.

##### 7.1.1.1 Hydraulic Tensioner's Burst Disc Replacement

The hydraulic tensioner's burst disc is a key element in the overall safe use of the hydraulic tensioner. The burst disc's location is shown on the tensioner's technical drawing (Riverhawk HT-xxxx listed in section 2.0 and 4.5).

Each tensioner is shipped from our factory with one burst disc already installed in the tensioner and with another spare disc for field replacement. Extra burst discs are available from Riverhawk for replacement purposes.



215 Clinton Road  
New Hartford, NY 13413  
Tel: +1 315 768 4855  
Fax: +1 315 768 4941  
Email: info@riverhawk.com

CUSTOMER'S INFORMATION BOX  
CONTENTS ARE INDEPENDENT OF RIVERHAWK DOCUMENT CONTROL

GE DRAWING NUMBER	REV
373A4079	

To replace a damaged burst disc refer to Riverhawk instruction manual IM-363 (GE VENDOC 373A4077). The latest revision may be obtained by contacting Riverhawk Company or thru www.riverhawk.com.

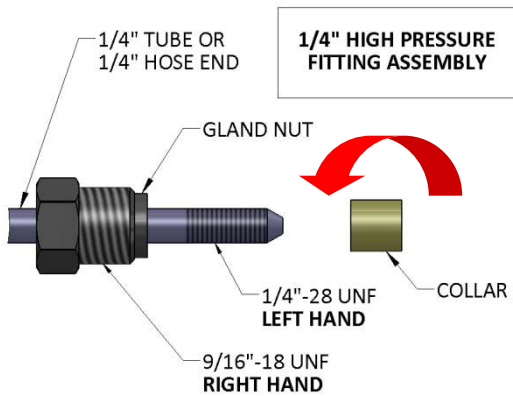
**Warning**

**A damaged burst disc must be replaced with a with a burst disc of the same design and pressure rating. Do not substitute a damaged burst disc with a different disc type, a different pressure rating, or a foreign object.**

**7.1.2 Hydraulic Pump Kit Inspection**

Refer to the Hydraulic Pump Kit Instruction Manual, IM-293 (GE VENDOC 373A4058). The latest revision may be obtained by contacting Riverhawk Company or thru www.riverhawk.com.

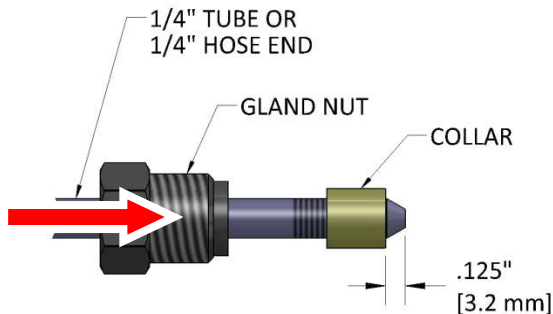
**7.2 Hydraulic Fittings**



Riverhawk tensioners use a 1/4" High Pressure port to connect its hydraulic hoses. The hose connector is made from a three piece assembly: a gland nut, a collar, and a 1/4" tube or 1/4" hose end. (See Illustration 1)

To assembly the fitting, slide the gland nut over the 1/4" tube or 1/4" hose end. Turn the collar counter-clockwise (**left hand** thread) on to the tube or hose end as shown in Illustration 1.

Illustration 1



The collar should be placed .125" (3.2 mm) from the tip of the cone. (See Illustration 2) It may be necessary to adjust this collar with a set of vise-grip pliers. Be careful to not strip the threads off the tube or hose end.

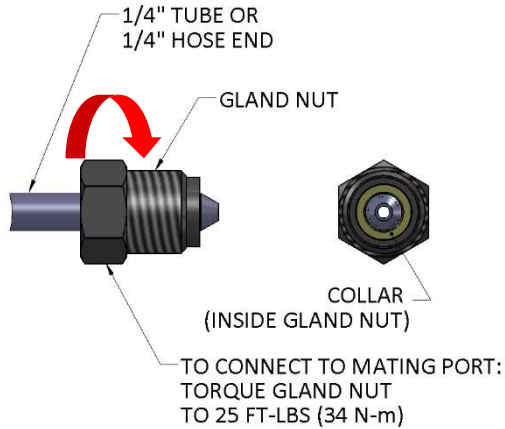
Illustration 2



215 Clinton Road  
 New Hartford, NY 13413  
 Tel: +1 315 768 4855  
 Fax: +1 315 768 4941  
 Email: info@riverhawk.com

**CUSTOMER'S INFORMATION BOX**  
 CONTENTS ARE INDEPENDENT OF RIVERHAWK DOCUMENT CONTROL

GE DRAWING NUMBER	REV
373A4079	



**Illustration 3**

Slide the gland nut down over the collar. (See Illustration 3) Insert the 1/4" tube or 1/4" hose end into tensioner or hydraulic pump. While firmly holding the tube or hose end to stop it from rotating, turn the gland nut clockwise (**right hand** thread) and torque the gland nut to 25 FT-LBS (34 N-m).

**Tips:**

- Make sure all parts are clean and free from debris.
- Protect the cone on the end of the 1/4" tube or 1/4" hose end from scratches as this is the sealing surface.
- Replace yellow plastic caps when finished to protect the threads and cone.

**8.0 Assembly of Tensioner on a Stud**

The tensioner used in this application can be identified by its ORANGE safety guard. If the tensioner's safety guard is YELLOW, a different set of instructions are required. Consult the Riverhawk factory for assistance.

**8.1 Handling of the Tensioner**

The tensioner used in this application is designed to require no special lifting instructions. Do not drop any part of the tensioner on the operator or other nearby personnel.

**8.2 Kit Assembly**

Connect the hydraulic hose to the hydraulic pump and the quick dis-connect coupler supplied with the tensioner.

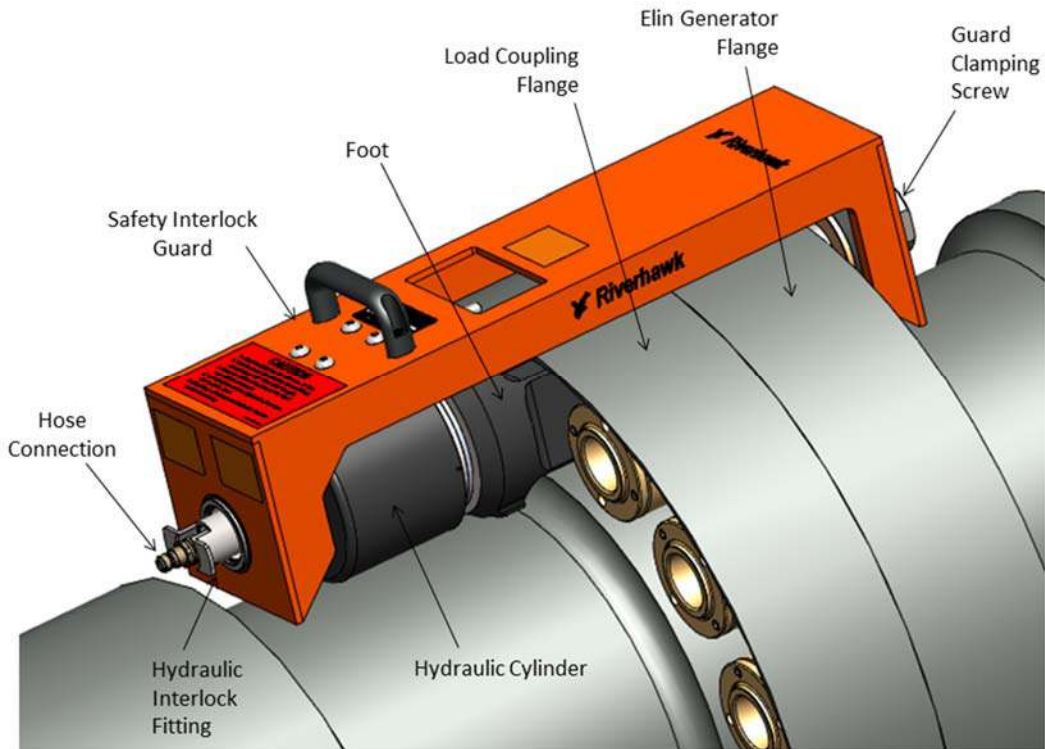
Refer to the hardware assembly drawing (HF-xxxx) listed in Section 2.0 of this manual and the tensioner assembly drawing (HT-xxxx) listed in Section 4.5 of this manual to determine how the tensioner must be assembled on the load coupling for its correct operation.



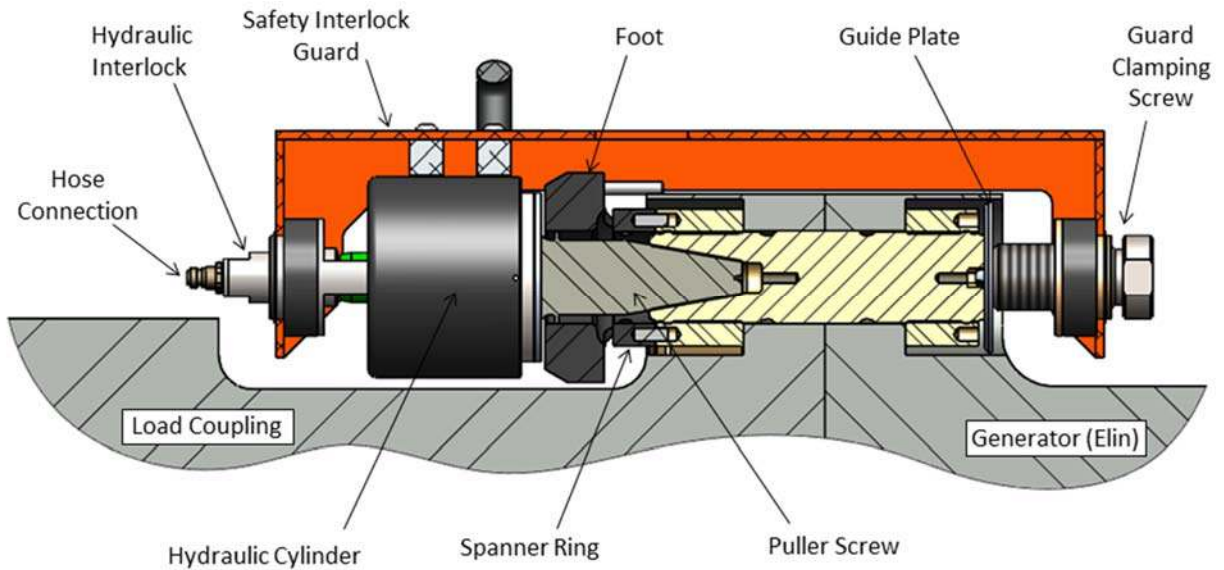
215 Clinton Road  
 New Hartford, NY 13413  
 Tel: +1 315 768 4855  
 Fax: +1 315 768 4941  
 Email: info@riverhawk.com

**CUSTOMER'S INFORMATION BOX**  
 CONTENTS ARE INDEPENDENT OF RIVERHAWK DOCUMENT CONTROL

GE DRAWING NUMBER	REV
373A4079	



**Picture 8A** – Features of the Hydraulic Tensioner HT-6690/HT-6746  
(Shown on Stepped Load Coupling Shaft)



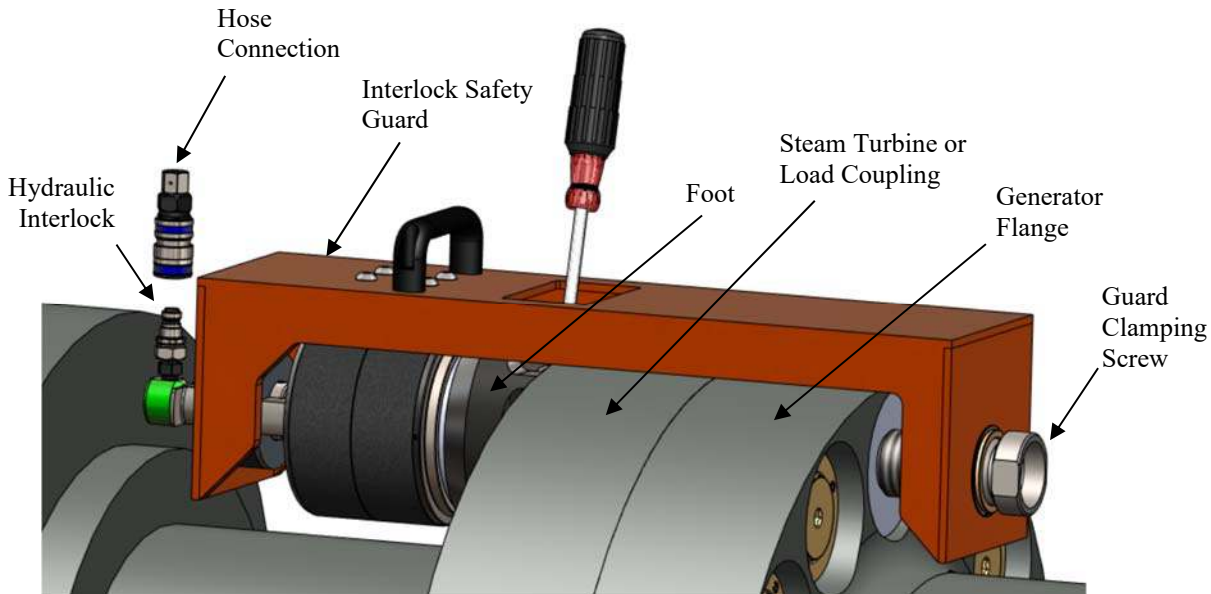
**Picture 8B** – Cross-section View of Hydraulic Tensioner HT-6690/HT-6746  
(Shown on Stepped Load Coupling Shaft)



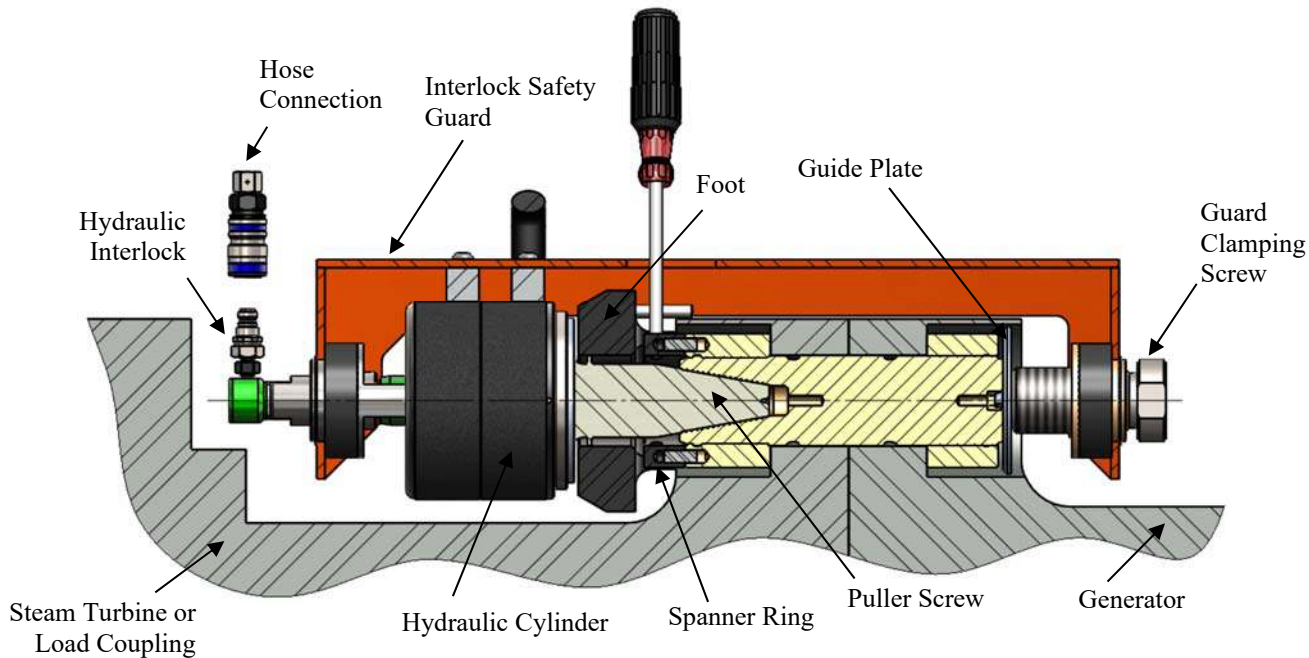
215 Clinton Road  
 New Hartford, NY 13413  
 Tel: +1 315 768 4855  
 Fax: +1 315 768 4941  
 Email: info@riverhawk.com

**CUSTOMER'S INFORMATION BOX**  
 CONTENTS ARE INDEPENDENT OF RIVERHAWK DOCUMENT CONTROL

GE DRAWING NUMBER	REV
373A4079	



**Picture 8C** – Features of the Hydraulic Tensioner HT-9569/HT-9616  
(Shown on stepped shaft)



**Picture 8D** – Cross-section View of Hydraulic Tensioner HT-9569/HT-9616  
(Shown on stepped shaft)



215 Clinton Road  
New Hartford, NY 13413  
Tel: +1 315 768 4855  
Fax: +1 315 768 4941  
Email: info@riverhawk.com

**CUSTOMER'S INFORMATION BOX**  
CONTENTS ARE INDEPENDENT OF RIVERHAWK DOCUMENT CONTROL

GE DRAWING NUMBER	REV
373A4079	

**Note: Before threading the puller screw into the stud, carefully check the cleanliness of both the stud's and the puller screw's conical threads. Apply a light coat of clean turbine oil or a spray lubricant to the puller screw. Do not use "Never Seize" on the conical threads. This procedure will ease assembly and assure positive mating of the threads before tightening.**

Assembly sequence is as follows:

1. Open the hydraulic return valve on the pump to allow hydraulic fluid to be pushed back from the puller tool into the pump reservoir. (This is automatic on the air-operated hydraulic pump)
2. Place the spanner ring on the nut.
3. Insert the puller screw into the tapered thread of the stud and hand tighten. **Be sure not to cross-thread the puller screw.** Some cases may require the use of the GT-6516 puller screw shim kit to ease removal of puller screw after tensioning. Follow instruction manual IM-336 (GE VENDOCS 373A4074) for use of puller screw shim kit.
4. Using an Allen wrench, tighten the puller screw and then back off the puller screw 1/2 a turn.
5. Hand tighten the puller screw by hand until it is fully inserted. **DO NOT BACK OFF THE PULLER SCREW.**
6. Place the foot over the puller screw and orientate it into position.
7. Thread the tensioner onto the puller screw until it lightly stops. Please note that the internal stop inside the tensioner will cause a gap in between the foot and tensioner. The gap should be 1/16" [1.6mm] to 3/16" [4.8mm]. **DO NOT ATTEMPT TO TIGHTEN THE TENSIONER AGAINST THE FOOT.**
8. Place the guard over the tensioner and position the guide pin into the hole in the backside of the stud.
9. Tighten guard clamping screw on backside until hydraulic interlock firmly presses against the hydraulic cylinder.
10. Activate the custom connector from the rear of guard by pushing on the center with your thumb and pulling the tabs with your fore finger and middle finger. Push the assembly forward until it locks into the hydraulic cylinder. Release fingers from the tabs and then remove thumb, ensure connection is firmly engaged or else the tensioner will not be connected to the pump.

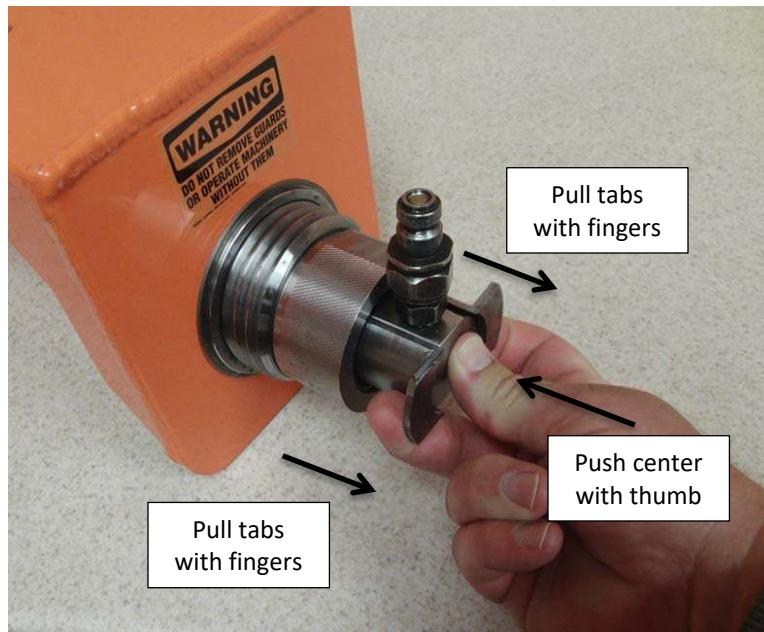


215 Clinton Road  
 New Hartford, NY 13413  
 Tel: +1 315 768 4855  
 Fax: +1 315 768 4941  
 Email: info@riverhawk.com

**CUSTOMER'S INFORMATION BOX**  
 CONTENTS ARE INDEPENDENT OF RIVERHAWK DOCUMENT CONTROL

GE DRAWING NUMBER	REV
373A4079	





Picture 8C - Activation of the safety interlock

11. Connect the hydraulic pump to the tensioner. The tensioner should now be completely assembled and ready for use.

### 8.3 Bleeding Hydraulic System

Bleeding of the hydraulic system is not necessary with this tensioner design.

### 9.0 Stud Tensioning

The studs will be tensioned in two steps, at 50% pressure and at final pressure. Follow the tensioning sequence for each flange joint as defined on the record sheets found at the end of this manual.

#### 9.1 Tensioning at 50% pressure

After the tensioner is properly installed apply hydraulic pressure to the tool. Bring the pressure to the 50% level in accordance with the following table.

#### **WARNING**

**The safety interlock guard must be in place at all times. Keep hands out of designated areas at all times when the tensioner is pressurized otherwise personal injury can occur.**



215 Clinton Road  
 New Hartford, NY 13413  
 Tel: +1 315 768 4855  
 Fax: +1 315 768 4941  
 Email: info@riverhawk.com

CUSTOMER'S INFORMATION BOX	
CONTENTS ARE INDEPENDENT OF RIVERHAWK DOCUMENT CONTROL	
GE DRAWING NUMBER	REV
373A4079	

**CAUTION**

Before threading the puller screw into the stud, carefully check the cleanliness of both the stud's and the puller screw's conical threads. Apply a light coat of clean turbine oil or a spray lubricant to the puller screw. This procedure will ease assembly and assure positive mating of the threads before tightening. Do not use "Never Seize" on the conical threads.

**CAUTION**

Do not exceed the maximum pressure marked on the tensioner. Excessive pressure can damage the stud and puller screw.

**CAUTION**

Do not tighten the nut while the tool is coming up to pressure; wait until pressure is achieved before attempting to tighten the nut with the spanner ring. If the tool is not properly installed, the tool could jump off the stud while coming up to pressure.

<u>Flange Position</u>	<u>Stud Size</u>	<u>50% Pressure</u>	<u>50% Stretch</u>
Turbine to Coupling	2-3/4" [71 mm]	10,000 psi [690 bar]	Do not measure Do not use
Coupling to ELIN 9A4/9A5 Generator	2-3/4" [71 mm]	10,000 psi [690 bar]	Do not measure Do not use
Coupling to Alstom A72s Generator	2-1/4" [58 mm]	9500 psi [655 bar]	Do not measure Do not use
Steam Turbine to ELIN 9A4/9A5 Generator	2-3/4" [71 mm]	10,000 psi [690 bar]	Do not measure Do not use
A200 HPIP Steam Turbine to 9A5 Generator	2-3/4" [71 mm]	10,000 psi [690 bar]	Do not measure Do not use

**9.2 Removing the Tensioner from an Installed Stud**

The tensioner removal is accomplished by the following steps:

1. Release the hydraulic pressure by either releasing the hand switch on the AP-0532 Pump Kit or by opening the valve on the Manual Pump Kit and leave the valve open.
2. Unscrew the knurled interlock fitting (clamping screw) at the end of the guard and remove the guard from the tensioner.
3. Unscrew the tensioner from puller screw.



215 Clinton Road  
New Hartford, NY 13413  
Tel: +1 315 768 4855  
Fax: +1 315 768 4941  
Email: info@riverhawk.com

**CUSTOMER'S INFORMATION BOX**  
CONTENTS ARE INDEPENDENT OF RIVERHAWK DOCUMENT CONTROL

GE DRAWING NUMBER	REV
373A4079	

4. Remove the foot from the puller screw.
5. Unscrew the puller screw using an Allen wrench. Tapping the Allen wrench with a hammer or the use of a 3-4' breaker bar may be necessary to loosen the puller screw. Do not use an impact wrench as this can damage the puller screw. (see note below)
6. Remove the spanner ring from the nut.
7. Move the tool to the next bolt hole following the tensioning pattern from the stretched record sheets at the end of this manual.

**Note:** If unable to remove puller screw from tensioned stud, reassemble tensioner onto stud and remove tension from stud returning it to its original unloaded state. Follow instruction manual IM-336 (GE VENDOCS 373A4074) for procedure to tension studs using GT-6516 puller screw installation shims. The latest revision may be obtained by contacting Riverhawk Company or thru [www.riverhawk.com](http://www.riverhawk.com).

### 9.3 Tensioning at Final Pressure

Repeat the pulling and tightening procedure stated above at full pressure. After all of the studs have been tensioned, measure the final stud length. The final pressure and required stretch values are listed in the following table.

#### WARNING

The safety interlock guard must be in place at all times. Keep hands out of designated areas at all times when the tensioner is pressurized otherwise personal injury can occur.

#### CAUTION

Before threading the puller screw into the stud, carefully check the cleanliness of both the stud's and the puller screw's conical threads. Apply a light coat of clean turbine oil or a spray lubricant to the puller screw. This procedure will ease assembly and assure positive mating of the threads before tightening. Do not use "Never Seize" on the conical threads.

#### CAUTION

Do not exceed the maximum pressure marked on the tensioner. Excessive pressure can damage the stud and puller screw.

#### CAUTION

Do not tighten the nut while the tool is coming up to pressure; wait until pressure is achieved before attempting to tighten the nut with the spanner ring. If the tool is not properly installed, the tool could jump off the stud while coming up to pressure.



215 Clinton Road  
New Hartford, NY 13413  
Tel: +1 315 768 4855  
Fax: +1 315 768 4941  
Email: [info@riverhawk.com](mailto:info@riverhawk.com)

CUSTOMER'S INFORMATION BOX  
CONTENTS ARE INDEPENDENT OF RIVERHAWK DOCUMENT CONTROL

GE DRAWING NUMBER	REV
373A4079	

<u>Flange Position</u>	<u>Stud Size</u>	<u>Final Pressure</u>	<u>Final Stretch</u>
Turbine to Coupling	2-3/4" [71 mm]	19,500 psi [1345 bar]	0.011" - 0.013" [0.28 mm - 0.33 mm]
Coupling to ELIN 9A4/9A5 Generator	2-3/4" [71 mm]	19,500 psi [1345 bar]	0.011" - 0.013" [0.28 mm - 0.33 mm]
Coupling to Alstom A72s Generator	2-1/4" [58 mm]	19,000 psi [1310 bar]	0.015" - 0.018" [0.38 mm - 0.46 mm]
Steam Turbine to ELIN 9A4/9A5 Generator	2-3/4" [71 mm]	19,500 psi [1345 bar]	0.011" - 0.013" [0.28 mm - 0.33 mm]
A200 HPIP Steam Turbine to 9A5 Generator	2-3/4" [71 mm]	19,500 psi [1345 bar]	0.011" - 0.013" [0.28 mm - 0.33 mm]

Firmly tighten the cylindrical nuts with approximately 20 ft·lbs [27 N·m] of torque using the pin wrench and spanner ring.

Incorrect stretch values can be corrected by uninstalling some or all of the selected studs. Re-measure the initial length of the studs and repeat the installation instructions studs. Excessive stretch variations can also be corrected by the same method.

Have final stretch values approved by the supervisor responsible for the installation.

## 10.0 Nut Thread Locking and Windage Plug Installation

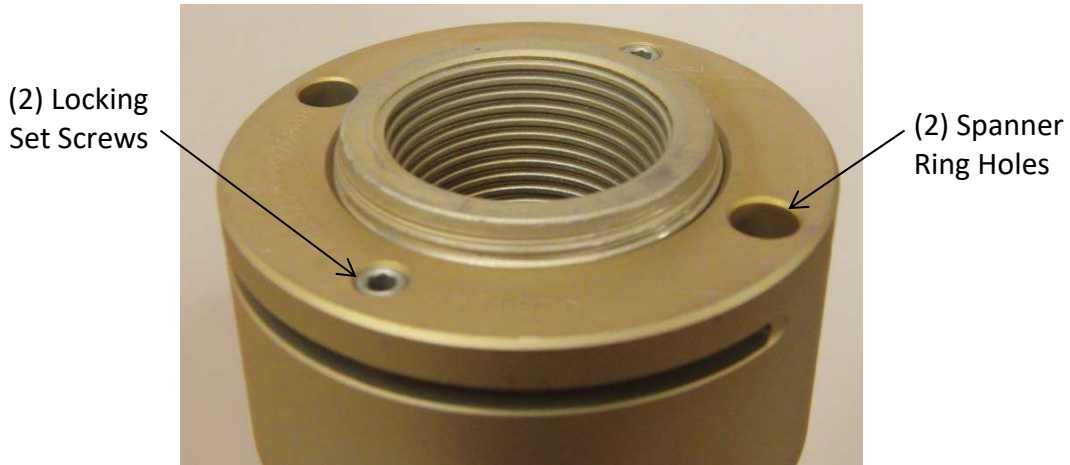


215 Clinton Road  
New Hartford, NY 13413  
Tel: +1 315 768 4855  
Fax: +1 315 768 4941  
Email: info@riverhawk.com

**CUSTOMER'S INFORMATION BOX**  
CONTENTS ARE INDEPENDENT OF RIVERHAWK DOCUMENT CONTROL

GE DRAWING NUMBER	REV
373A4079	

### 10.1 Thread Locking



**Picture 10A** - Riverhawk Locknut

Mechanical lock nuts have two set screws located in the top face. Before threading the nut onto the stud check to be certain the set screws are free to turn. Once the stud is tensioned, torque the set screws to the values specified in the following table. When seated and torqued to the values specified the load created by the set screw displaces the thread of the nut in the area of the web creating the desired locking action.

<u>Stud Size</u>	<u>Set Screw Size</u>	<u>Torque</u>
2-1/4" [58 mm]	1/4"-28 UN	70 in·lbs - 80 in·lbs [7.9 N·m – 9.0 N·m]
2-3/4" [71 mm]	3/8"-24 UN	200 in·lbs - 250 in·lbs [22.6 N·m – 28.2 N·m]

### 10.2 Windage Plug Installation

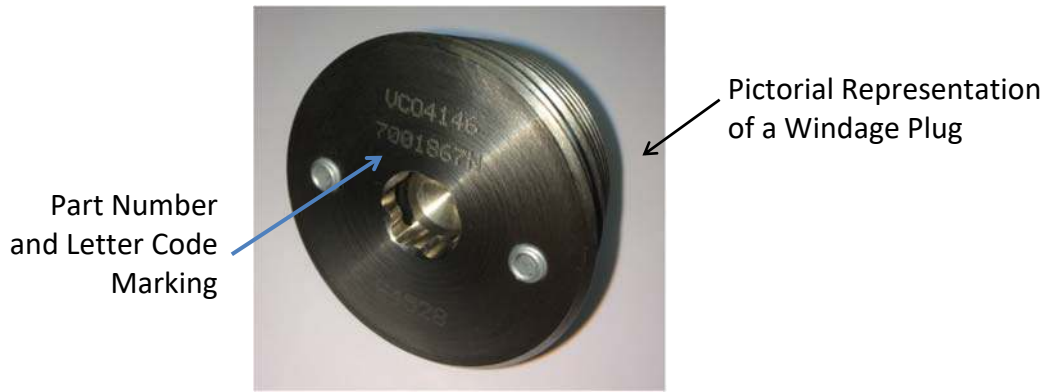
Refer to the hardware assembly drawing (HF-xxxx) listed in Section 2.0 of this manual to determine if windage plugs are required for the installation. Along with other identifying markings, the windage plug’s part number can be found on the plug’s top surface as shown in the picture below.



215 Clinton Road  
 New Hartford, NY 13413  
 Tel: +1 315 768 4855  
 Fax: +1 315 768 4941  
 Email: info@riverhawk.com

**CUSTOMER'S INFORMATION BOX**  
 CONTENTS ARE INDEPENDENT OF RIVERHAWK DOCUMENT CONTROL

GE DRAWING NUMBER	REV
<b>373A4079</b>	



Picture 10B – Windage Plug’s Markings

To install the windage plug, use the following instructions:

1. Inspect the stud’s conical thread. It should have a bright and shiny appearance. The threads should be visually checked for any damage. Refer to Section 5.2 or Riverhawk Instruction Manual IM-220 (GE Vendoc 373A4025) for assistance.
2. Apply a light coat of clean turbine oil to the stud.

**CAUTION**

Before installation, carefully check the cleanliness of the windage plug’s and the stud's threads. Apply a light coat of clean turbine oil to the stud’s conical thread. This procedure will ease assembly before tightening. Do not use “Never Seize” on any surface or thread.



215 Clinton Road  
New Hartford, NY 13413  
Tel: +1 315 768 4855  
Fax: +1 315 768 4941  
Email: info@riverhawk.com

**CUSTOMER'S INFORMATION BOX**  
CONTENTS ARE INDEPENDENT OF RIVERHAWK DOCUMENT CONTROL

GE DRAWING NUMBER	REV
373A4079	

- Thread the windage plug into the conical thread of the stud. The windage plug must not be cross-threaded when installed. Apply the following torque to seat the windage plug into the stud.

Windage Plug P/N	Installation Torque
7001983	100-150 in-lbs. [11-17 Nm]

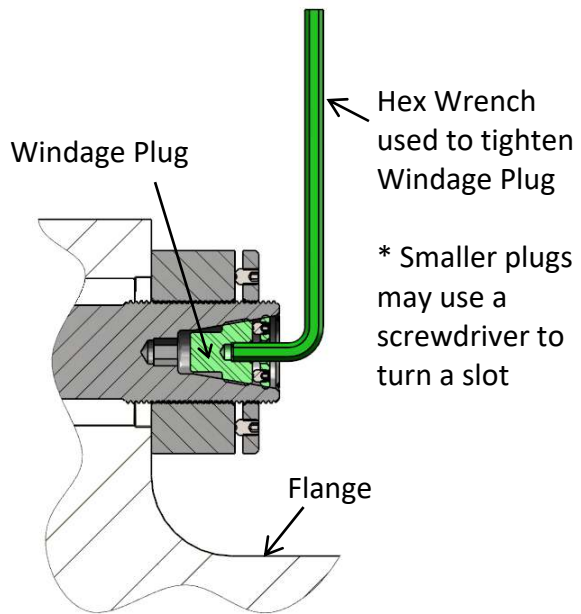


Figure 10C

- The windage plug includes a locking feature similar to the locking feature of the cylindrical nuts. The set screws must be torqued to the following amount. These set screws will cause the top section of the windage plug to lock onto the stud's threads.

Windage Plug P/N	Installation Torque
7001983	20-35 in-lbs. [2.8-4.0 Nm]

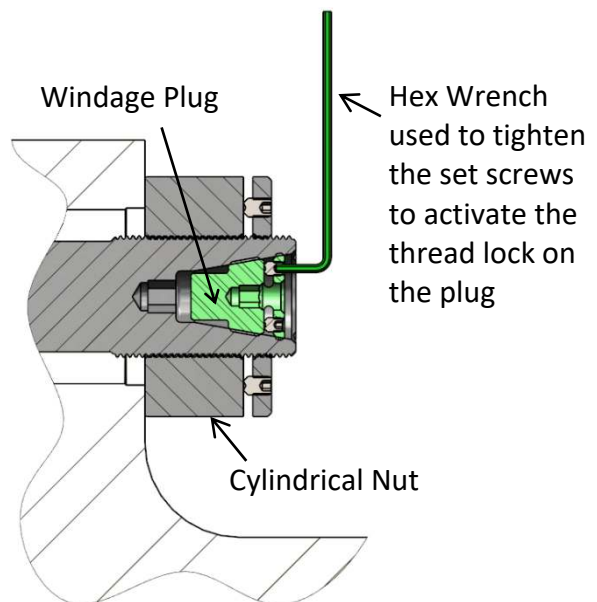


Figure 10D

**WARNING**

Do not use Loctite on any of the threads and do not stake any component of this assembly.

- The windage plug should be at least 0.060" [1.5 mm] below the face of the stud for the locking feature to work correctly. If not, loosen set screws and reexamine the stud's and plug's threads for debris or damage. It may be necessary to replace the plug.



215 Clinton Road  
New Hartford, NY 13413  
Tel: +1 315 768 4855  
Fax: +1 315 768 4941  
Email: info@riverhawk.com

CUSTOMER'S INFORMATION BOX	
CONTENTS ARE INDEPENDENT OF RIVERHAWK DOCUMENT CONTROL	
GE DRAWING NUMBER	REV
373A4079	

- The set screws should flush to slightly below the top of the windage plug. The set screw should also press against the slot's opposite surface.

**Wrong Installation Position**



Partially Loose Set screw

**Correct Installation Position**



Pressed against Opposite Surface. No Gap.

**Picture 10E – Set Screw Position**

**11.0 Stud and Nut Removal**

**11.1 Handling of the Tensioner**

Proper lifting techniques must be used when handling the heavier parts of the assembly. Do not drop any part of the tensioner on the operator or other nearby personnel.

**11.2 Stud and Nut Removal**

**WARNING**

**The safety cage must be in place at all times. Keep hands out of designated areas at all times when the tensioner is pressurized otherwise personal injury can occur.**

**CAUTION**

**Before threading the puller screw into the stud, carefully check the cleanliness of both the stud's and the puller screw's conical threads. Apply a light coat of clean turbine oil or a spray lubricant to the puller screw. This procedure will ease assembly and assure positive mating of the threads before tightening. Do not use "Never Seize" on the conical threads.**

**CAUTION**

**Do not exceed the maximum pressure marked on the tensioner. Excessive pressure can damage the stud and puller screw.**



215 Clinton Road  
 New Hartford, NY 13413  
 Tel: +1 315 768 4855  
 Fax: +1 315 768 4941  
 Email: info@riverhawk.com

**CUSTOMER'S INFORMATION BOX**  
 CONTENTS ARE INDEPENDENT OF RIVERHAWK DOCUMENT CONTROL

GE DRAWING NUMBER	REV
373A4079	



**CAUTION**

**Do not tighten the nut while the tool is coming up to pressure; wait until pressure is achieved before attempting to tighten the nut with the spanner ring. If the tool is not properly installed, the tool could jump off the stud while coming up to pressure.**

Refer to the hardware assembly drawing (HF-xxxx) listed in Section 2.0 of this manual and the tensioner assembly drawing (HT-xxxx) listed in Section 4.5 of this manual to determine how the tensioner must be assembled on the load coupling for its correct operation.

Section 8.0 contains diagrams of the tensioner equipment.

Disassembly sequence is as follows:

1. If present, remove the windage plugs from the studs by reversing the installation instructions from section 10.2. It may be necessary to use two Allen wrenches: one to stop the windage plug from rotating, one to remove the set screws. Do not misplace the set screws.
2. Using a wire brush (GT-4253) and shop air, clean the internal tapered thread of the stud to remove any debris/deposits which may have accumulated during service. Do not continue until ALL debris is removed from the threads. Follow instruction manual IM-220 (GE VENDOCs 373A4025) for cleaning procedure of the conical threads on Riverhawk studs. The latest revision may be obtained by contacting Riverhawk Company or thru [www.riverhawk.com](http://www.riverhawk.com).

**WARNING**

**Do not use a hydraulic tensioner to remove a stud with damaged conical threads.**

3. With an Allen-wrench loosen the two locking set screws but do not remove from the nut.



**Picture 11A** - Loosening of a nut's set screws

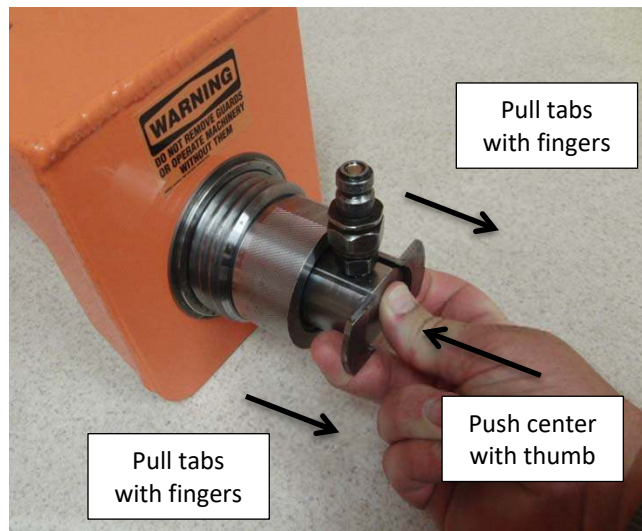


215 Clinton Road  
New Hartford, NY 13413  
Tel: +1 315 768 4855  
Fax: +1 315 768 4941  
Email: [info@riverhawk.com](mailto:info@riverhawk.com)

**CUSTOMER'S INFORMATION BOX**  
CONTENTS ARE INDEPENDENT OF RIVERHAWK DOCUMENT CONTROL

GE DRAWING NUMBER	REV
373A4079	

4. Place the spanner ring on the nut.
5. Insert the puller screw into the tapered thread of the stud and hand tighten. **Be sure not to cross-thread the puller screw.** (Do not use puller screw shim kit during disassembly)
6. Using an Allen wrench, tighten the puller screw and then back off the puller screw 1/2 a turn.
7. Hand-tighten the puller screw by hand until it is fully inserted. **DO NOT BACK OFF THE PULLER SCREW.**
8. Place the foot over the puller screw and orientate it into position
9. Thread the tensioner onto the puller screw until it stops. Please note that the internal stop inside the tensioner will cause a gap in between the foot and tensioner. The gap should be 1/16" [1.6mm] to 3/16" [4.8mm]. **DO NOT ATTEMPT TO TIGHTEN THE TENSIONER AGAINST THE FOOT.**
10. Place the guard over the tensioner and position the guide pin into the hole in the backside of the stud.
11. Tighten guard clamping screw on backside until hydraulic interlock firmly presses against the hydraulic cylinder.
12. Activate the custom connector from the rear of guard by pushing on the center with your thumb and pulling the tabs with your fore finger and middle finger. Push the assembly forward until it locks into the tensioner. Release fingers from the tabs and then remove thumb, ensure connection is firmly engaged or else the tensioner will not be connected to the pump.



Picture 11B - Activation of the safety interlock



215 Clinton Road  
 New Hartford, NY 13413  
 Tel: +1 315 768 4855  
 Fax: +1 315 768 4941  
 Email: info@riverhawk.com

CUSTOMER'S INFORMATION BOX  
 CONTENTS ARE INDEPENDENT OF RIVERHAWK DOCUMENT CONTROL

GE DRAWING NUMBER	REV
373A4079	

13. Connect the hydraulic hose from the hydraulic pump to the interlock fitting on the tensioner guard.
14. Open the hydraulic return valve on the pump to allow hydraulic fluid to be pushed back from the puller tool into the pump reservoir. (This is automatic on the air-operated hydraulic pump)
15. Apply the appropriate hydraulic pressure per this table.

<u>Flange Position</u>	<u>Stud Size</u>	<u>Final Pressure</u>
Turbine to Coupling	2-3/4" [71 mm]	19,500 psi [1345 bar]
Coupling to ELIN 9A4/9A5 Generator	2-3/4" [71 mm]	19,500 psi [1345 bar]
Coupling to Alstom A72s Generator	2-1/4" [58 mm]	19,000 psi [1310 bar]
Steam Turbine to ELIN 9A4/9A5 Generator	2-3/4" [71 mm]	19,500 psi [1345 bar]
A200 HPIP Steam Turbine to 9A5 Generator	2-3/4" [71 mm]	19,500 psi [1345 bar]

16. Turn the spanner ring with the pin wrench. Loosen and turn the nut approximately 3/4 of a turn.
17. Release the hydraulic pressure.

### 11.3 Removing the Tensioner from a Stud

The tensioner removal is accomplished by the following steps:

1. Release the hydraulic pressure by either releasing the hand switch on the AP-6048 Pump Kit or by opening the valve on the Manual Pump Kit and leave the valve open.
2. Unscrew the knurled interlock fitting at the end of the guard and remove the guard from the tensioner.
3. Unscrew the tensioner from puller screw.
4. Remove the foot the puller screw.



215 Clinton Road  
 New Hartford, NY 13413  
 Tel: +1 315 768 4855  
 Fax: +1 315 768 4941  
 Email: info@riverhawk.com

CUSTOMER'S INFORMATION BOX	
CONTENTS ARE INDEPENDENT OF RIVERHAWK DOCUMENT CONTROL	
GE DRAWING NUMBER	REV
373A4079	

5. Unscrew the puller screw using an Allen wrench. Tapping the Allen wrench with a hammer or the use of a 3-4' breaker bar may be necessary to loosen the puller screw. Do not use an impact wrench as this can damage the puller screw.
6. Remove the spanner ring from the nut.
7. Move the tool to the next bolt hole in the pattern.

## 12.0 Storage Instructions

Follow these directions to properly store your hydraulic tensioner and hydraulic pump kit for long term storage and shipment.

If any damage is observed, contact the Riverhawk Company to schedule a maintenance inspection.

### 12.1 Hydraulic Pump Kit Storage

Refer to the Hydraulic Pump Kit Instruction Manual, IM-293 (GE VENDOC 373A4058). The latest revision may be obtained by contacting Riverhawk Company or thru [www.riverhawk.com](http://www.riverhawk.com).

### 12.2 Hydraulic Tensioner Storage

Check the tensioner for any damage

1. Clean puller screw and check for any debris and dents.
2. Knurled interlock fitting should be clean and free to rotate.
3. Inspect the tensioner guard for any signs of damage. Bent guards must be replaced.

If any damage is observed, contact the Riverhawk Company to schedule a maintenance inspection.

Place the protective plastic cap on the guard's knurled interlock fitting.

Coat the hydraulic tensioner with a light coat of oil and place the tensioner into the original shipping container.

### 12.3 Store shipping container

Secure the hydraulic pump and hydraulic tensioner into the original shipping containers using the supplied wood braces.



215 Clinton Road  
New Hartford, NY 13413  
Tel: +1 315 768 4855  
Fax: +1 315 768 4941  
Email: [info@riverhawk.com](mailto:info@riverhawk.com)

**CUSTOMER'S INFORMATION BOX**  
CONTENTS ARE INDEPENDENT OF RIVERHAWK DOCUMENT CONTROL

GE DRAWING NUMBER	REV
373A4079	

Seal the original shipping container and store under shelter and protected from moisture, sand, and grit.

### 13.0 Frequently Asked Questions

This section contains some frequently asked questions and problems. If the steps listed here do not solve your problem, contact the Riverhawk Company thru our website, email, or phone call.

**Q:** Can I rent a hydraulic tensioner kit?

**A:** Yes, Riverhawk has rental tensioner kits available for most of our hydraulic tensioners.

**Q:** A tensioner has pulled itself out of the stud's conical threads. Can I continue using a tensioner on this stud?

**A:** No. Both the tensioner and the stud may have been damaged and must be removed from the work area. If the stud is tensioned, a Nut Buster repair kit, from Riverhawk, must be used to remove the damaged stud by drilling out the nut. Leaving a damaged stud in place will lead to a safety hazard on future outages.

Riverhawk can supply a replacement stud and nut based on the initial weight certification supplied with the hardware set (see section 4.2). The damaged tensioner should also be returned to Riverhawk for inspection and repair.

If a stud must be left in place, paint the damaged stud with a generous amount of indelible, bright-colored paint. Notify the appropriate GE Safety and Service personnel. Note the location of the damaged stud in the services notes for the machine.

**Q:** The hydraulic tensioner has been taken up to its final pressure. The final stretch length is short of the final stretch target. What is the next step?

**A:** Do not increase the hydraulic pressure. Check if the hydraulic pump is set to the right pressure. Install the tensioner and re-pressurize the tensioner to the final pressure then recheck the stretch measurement. If the stretch value is still short, remove the stud from the hole and re-measure the stud's initial length then try to install the stud again.



215 Clinton Road  
New Hartford, NY 13413  
Tel: +1 315 768 4855  
Fax: +1 315 768 4941  
Email: info@riverhawk.com

**CUSTOMER'S INFORMATION BOX**  
CONTENTS ARE INDEPENDENT OF RIVERHAWK DOCUMENT CONTROL

GE DRAWING NUMBER	REV
373A4079	

- Q:** The hydraulic tensioner has been taken up to its final pressure. The final stretch length is larger than the final stretch target. What is the next step?
- A:** Remove the stud from the bolt hole. Check if the hydraulic pump is set to the right pressure. Re-measure the stud's initial length then try to install the stud again.
- Q:** The tensioner is at its final pressure, but the nut cannot be loosened.
- A:** If the nuts cannot be loosened at the final pressure, continually increasing the pressure up to tensioner maximum will not help and can be dangerous and in some cases make it harder to remove the nut. Check the nut to see if its set screws have been loosened. Check for and remove any corrosion around the nut's threads.
- Q:** How do I clean the conical threads on a stud?
- A:** The conical threads are best cleaned using a spiral wound brass brush in a drill as described in section 5.2.2
- Q:** During the initial steps of removing a tensioned stud, the stick-out length is found to be wrong.
- A:** Do not proceed. Contact Riverhawk for assistance. With the wrong stick-out length, the hydraulic tensioner has a limited stroke and may not work properly and can be damaged.
- Q:** The hydraulic pump appears to be leaking.
- A:** Check the hose connection to the hydraulic pump. If the 1/4" high pressure fitting is not assembled correctly as shown in section 7.2, it may look like the pump is leaking. If the problem continues, it may be necessary to open the pump kit. Contact Riverhawk for guidance.
- Q:** The hydraulic hose has a collar on it that can't be moved by hand
- A:** The hydraulic fitting is shown in section 7.2. The collar is sometimes held in place with a thread locking compound. This prevents the collar from moving too easily. It may be necessary to adjust this collar with a set of vise-grip pliers. Be careful to not strip the threads off the tube or hose end.



215 Clinton Road  
New Hartford, NY 13413  
Tel: +1 315 768 4855  
Fax: +1 315 768 4941  
Email: info@riverhawk.com

CUSTOMER'S INFORMATION BOX  
CONTENTS ARE INDEPENDENT OF RIVERHAWK DOCUMENT CONTROL

GE DRAWING NUMBER	REV
373A4079	

**14.0 Revision History**

Revision Letter	Effective Date	Description
F	Sep 19, 2022	Revised figures 6A, 6B, 6C, and 6D
E	May 25, 2022	Added 301T9824 to the title page; Inserted section 2.6; Added 301T9824P0002 to section 2.7; Inserted Figure 6D; Added A200 to the tables in section 9.1, 9.3, 11.2; Revised section 10.2
D	Apr 5, 2022	Updated EC Declaration of Conformity; Added UKCA Declaration of Conformity
C	Jan 4, 2022	Added 301T7451 to title page; Section 2.3 renumbered to section 2.6; Added sections 2.3, 2.4, and 2.5; Added 301T7451 to section 2.6; Added HT-9616 to section 4.5; Inserted figure 6C; Added HT-9616 to pictures 8C and 8D; Added Alstom A72s Generator to hydraulic pressure charts in sections 9.1, 9.3, and 11.3; Added 2-1/4" studs to chart in section 10.1
B	Aug 16, 2021	Added 382A6121 to title page; Revised section 2.2 and 2.3; Added pictures 8C and 8D to section 8.2
A	Mar 23, 2017	Added 137A3350P007 to title page; inserted section 2.2
-	Feb 26, 2015	Released



215 Clinton Road  
 New Hartford, NY 13413  
 Tel: +1 315 768 4855  
 Fax: +1 315 768 4941  
 Email: info@riverhawk.com

**CUSTOMER'S INFORMATION BOX**  
 CONTENTS ARE INDEPENDENT OF RIVERHAWK DOCUMENT CONTROL

GE DRAWING NUMBER	REV
373A4079	

## Appendix A1

### EC Declaration of Conformity

Manufacturer: Riverhawk Company  
Address: 215 Clinton Road  
New Hartford, NY 13413, USA

The hydraulic pump and bolt tensioning tool described in this manual are used for installing and applying tension to large bolts that are specifically designed by Riverhawk Company to be tensioned hydraulically.

All applicable sections of European Directive 2006/42/EC for machinery have been applied and fulfilled in the design and manufacture of the hydraulic pump and bolt tensioning tool described in this manual. Reference also ISO 12100:2010, ISO 4413:2010, and ISO 4414:2010.

Furthermore, this equipment has been manufactured under the Riverhawk quality system per EN ISO 9001:2015

Consult the Declaration of Conformance included with the shipment of this equipment that identifies the authorized Riverhawk representative, applicable serial numbers, and appropriate signature.



215 Clinton Road  
New Hartford, NY 13413  
Tel: +1 315 768 4855  
Fax: +1 315 768 4941  
Email: info@riverhawk.com

**CUSTOMER'S INFORMATION BOX**  
CONTENTS ARE INDEPENDENT OF RIVERHAWK DOCUMENT CONTROL

GE DRAWING NUMBER	REV
373A4079	



## Appendix A2

### UKCA Declaration of Conformity

Manufacturer: Riverhawk Company  
Address: 215 Clinton Road  
New Hartford, NY 13413, USA

The hydraulic pump and bolt tensioning tool described in this manual are used for installing and applying tension to large bolts that are specifically designed by Riverhawk Company to be tensioned hydraulically.

All applicable sections of Supply of Machinery (Safety) 2008 have been applied and fulfilled in the design and manufacture of the hydraulic pump and bolt tensioning tool described in this manual. Reference also ISO 12100:2010, ISO 4413:2010, and ISO 4414:2010.

Furthermore, this equipment has been manufactured under the Riverhawk quality system per EN ISO 9001:2015

Consult the Declaration of Conformance included with the shipment of this equipment that identifies the authorized Riverhawk representative, applicable serial numbers, and appropriate signature.



215 Clinton Road  
New Hartford, NY 13413  
Tel: +1 315 768 4855  
Fax: +1 315 768 4941  
Email: info@riverhawk.com

**CUSTOMER'S INFORMATION BOX**  
CONTENTS ARE INDEPENDENT OF RIVERHAWK DOCUMENT CONTROL

GE DRAWING NUMBER	REV
373A4079	

**Appendix B1**

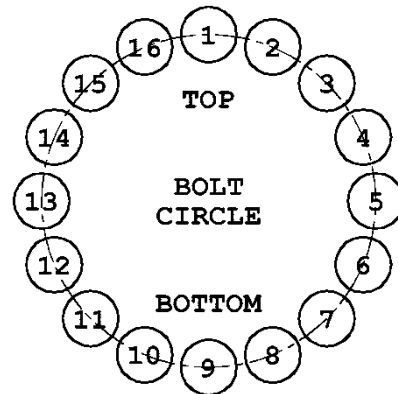
STRETCH RECORD SHEET FOR  
THE GAS TURBINE TO LOAD COUPLING

TURBINE NUMBER:

DATE:

TECHNICIAN:

SUPERVISOR:



HOLE NUMBER	STARTING LENGTH	FINAL LENGTH	FINAL STRETCH
1			
9			
2			
10			
3			
11			
4			
12			
5			
13			
6			
14			
7			
15			
8			
16			

**CUSTOMER'S INFORMATION BOX**  
CONTENTS ARE INDEPENDENT OF RIVERHAWK DOCUMENT CONTROL

GE DRAWING NUMBER	REV
<b>373A4079</b>	



215 Clinton Road  
New Hartford, NY 13413  
Tel: +1 315 768 4855  
Fax: +1 315 768 4941  
Email: info@riverhawk.com

**Appendix B2**

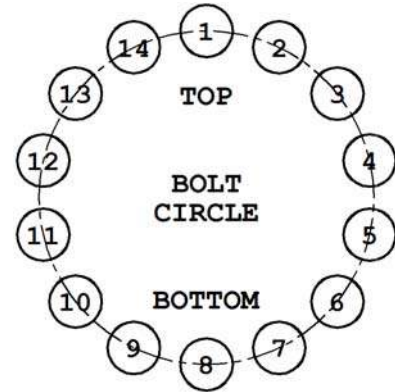
STRETCH RECORD SHEET FOR  
THE LOAD COUPLING TO GENERATOR

TURBINE NUMBER:

DATE:

TECHNICIAN:

SUPERVISOR:



HOLE NUMBER	STARTING LENGTH	FINAL LENGTH	FINAL STRETCH
1			
8			
2			
9			
3			
10			
4			
11			
5			
12			
6			
13			
7			
14			

**CUSTOMER'S INFORMATION BOX**  
CONTENTS ARE INDEPENDENT OF RIVERHAWK DOCUMENT CONTROL

GE DRAWING NUMBER	REV
373A4079	



215 Clinton Road  
New Hartford, NY 13413  
Tel: +1 315 768 4855  
Fax: +1 315 768 4941  
Email: info@riverhawk.com

**Appendix B3**

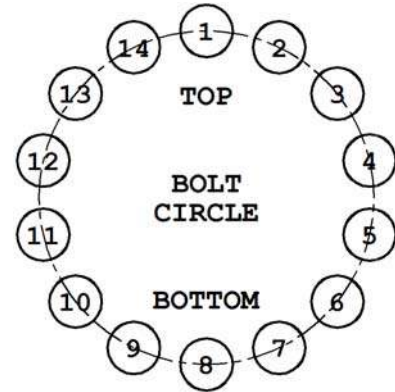
STRETCH RECORD SHEET FOR  
THE STEAM TURBINE TO GENERATOR

TURBINE NUMBER:

DATE:

TECHNICIAN:

SUPERVISOR:



HOLE NUMBER	STARTING LENGTH	FINAL LENGTH	FINAL STRETCH
1			
8			
2			
9			
3			
10			
4			
11			
5			
12			
6			
13			
7			
14			

**CUSTOMER'S INFORMATION BOX**  
CONTENTS ARE INDEPENDENT OF RIVERHAWK DOCUMENT CONTROL

GE DRAWING NUMBER	REV
373A4079	



215 Clinton Road  
New Hartford, NY 13413  
Tel: +1 315 768 4855  
Fax: +1 315 768 4941  
Email: info@riverhawk.com