

CUSTOMER: _____

DATE: _____

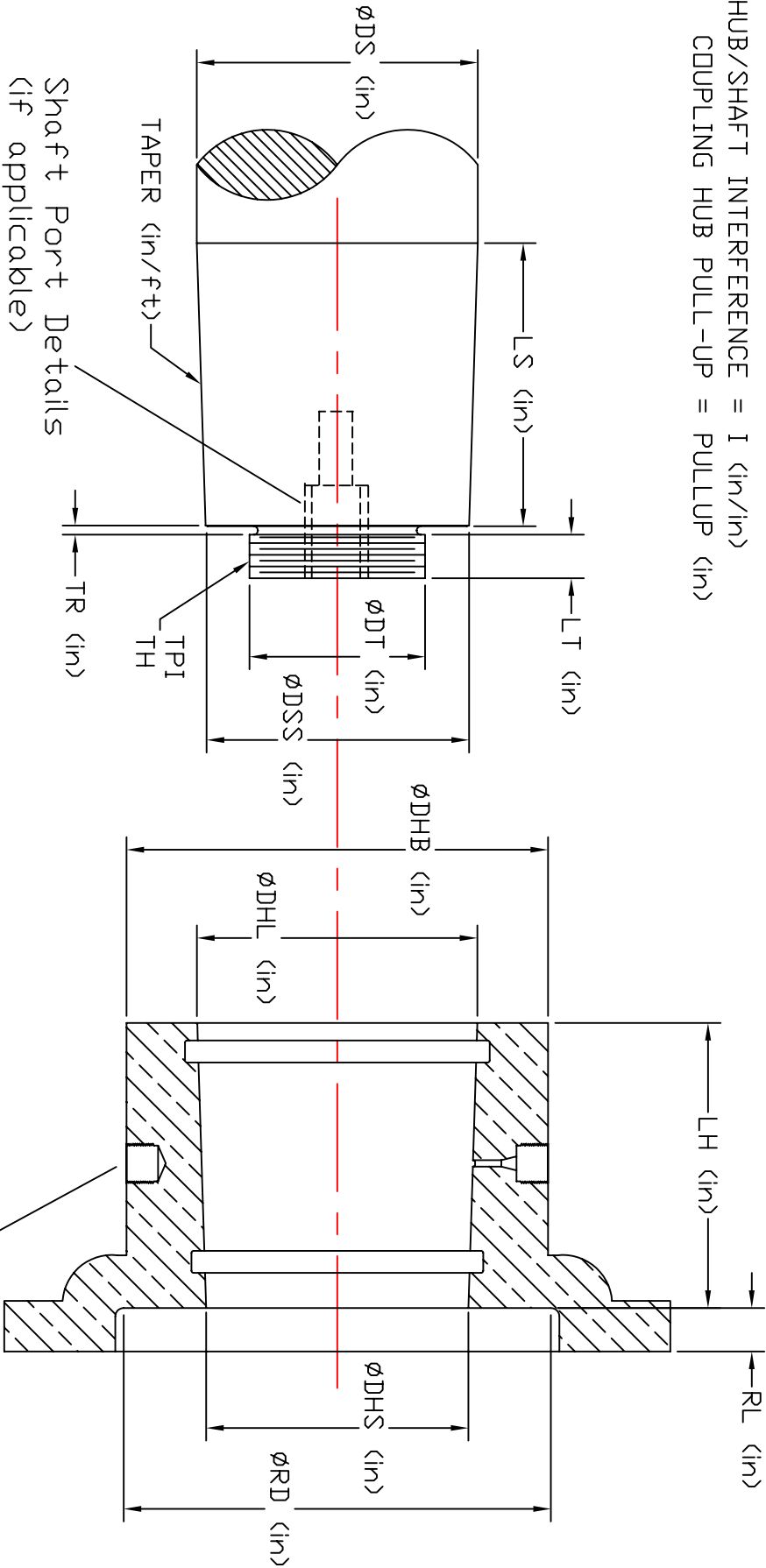
SHAFT END DIMENSIONS

NOMINAL SHAFT DIAMETER	ϕ_{DS} (in)	_____
SMALL END DIAMETER	ϕ_{DSS} (in)	_____
TAPER	TAPER (in/ft)	_____
SHAFT THREAD	ϕ_{DT} (in)	_____
THREAD PER INCH	TPI	_____
THREAD HAND	TH	_____
THREAD LENGTH	LT (in)	_____
THREAD RELIEF	TR (in)	_____

COUPLING HUB DIMENSIONS

HUB BARREL DIAMETER	ϕ_{DHB} (in)	_____
LARGE END DIAMETER	ϕ_{DHL} (in)	_____
SMALL END DIAMETER	ϕ_{DHS} (in)	_____
HUB LENGTH	LH (in)	_____
RESTRICTING DIAMETER	ϕ_{RD} (in)	_____
RESTRICTING LENGTH	RL (in)	_____
HUB/SHAFT INTERFERENCE	I (in/in)	_____
COUPLING HUB PULL-UP	PULLUP (in)	_____

HUB/SHAFT INTERFERENCE = I (in/in)
 COUPLING HUB PULL-UP = PULLUP (in)



Shaft Port Details
(if applicable)

Hub Port Details
(if applicable)

PUSHER DESIGN
 DATA SHEET