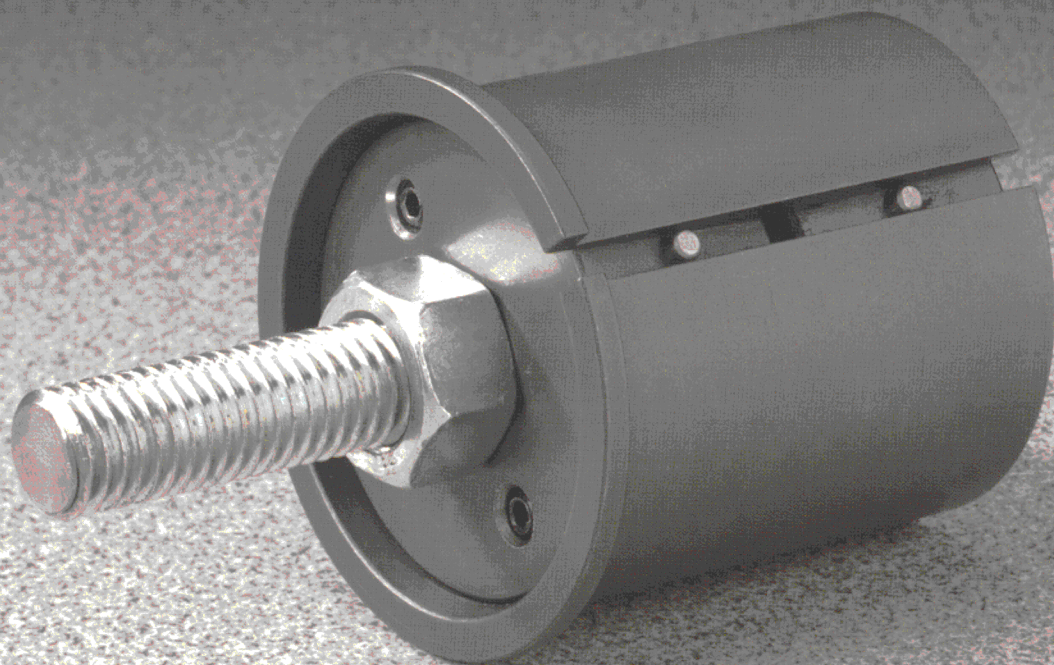


INTERNAL EXPANDING SHAFT CLAMP



Mechanically – Actuated Clamp Pressure For High Torque Capacity

Select the Riverhawk Internal Expanding Shaft Clamp (IESC) for applications that require secure, keyless mounting of shaft elements such as compressor impellers, pump impellers or gears. High capacity clamping is accomplished with superior concentricity and high rotational symmetry for better balance. The IESC requires little external envelope and is accessible from the shaft end.

Slip-Fit Components For Keyless Connections

Quick and simple to install, the IESC allows the shaft and shaft element to be designed with cylindrical, slip-fits. A secure couple is accomplished when the internal wedges are driven together against the ramped collet. This drives the shaft surface into direct high pressure contact with the bore. No intervening parts, which can cause runout, are required between the bore and the shaft. No

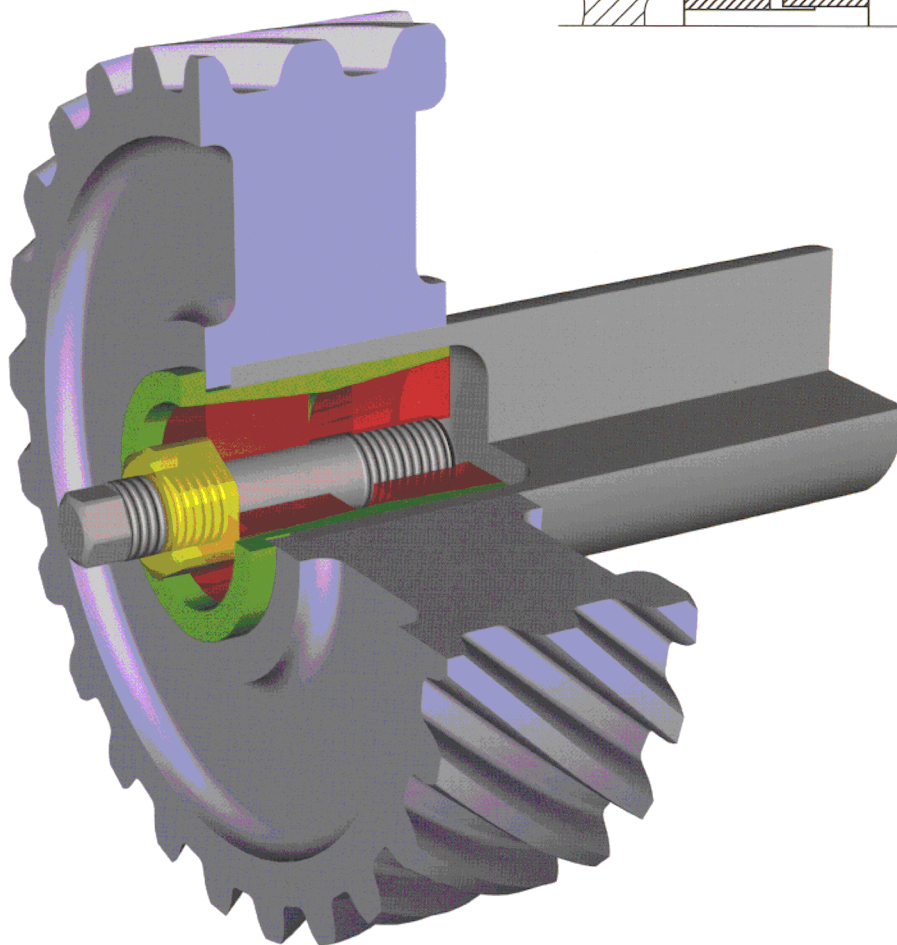
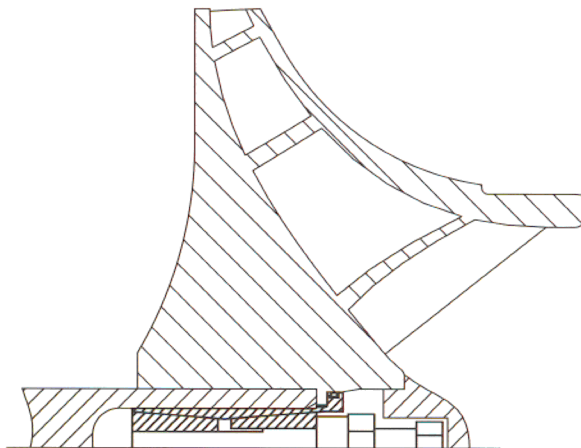
stress rising key ways or splines are required for torque transmission. Cylindrical slip-fit surfaces translate into low manufacturing and maintenance costs.



INTERNAL EXPANDING SHAFT CLAMP

Custom-Designed To Your Specification

Particularly well suited for impeller applications, a Riverhawk IESC can be designed and built to meet your specific application requirement. The IESC can be adopted to applications where the shaft end is accessible. It is also well suited to applications where the inboard side of the shaft element is inaccessible. Though the IESC does not require splines or keyways, it can be used to increase tightness for these joint types.



Riverhawk Company, an engineering driven manufacturer, specializes in hydraulic shaft joining technologies. We meet the daily challenges of the rotating equipment industry by offering auxiliary equipment such as air driven and manual hydraulic pressure kits and pusher piston cylinders for the installation of coupling hubs, thrust discs, and compressor wheels. Riverhawk also designs and manufactures hydraulically tensioned studs and nuts, tensioning tools, hydraulic nuts, and plug and ring gages. We also provide source inspections and training seminars. Our equipment is proudly supplied to the top OEMs and end users of the turbomachinery industry. Riverhawk is a member of the American Petroleum Institute (API) and sits on the coupling committee of the American Gear Manufacturers Association (AGMA).

For more information about Riverhawk's Hydraulic Tensioner Nut or any of our other products and services call



215 Clinton Road, New Hartford, NY 13413
Phone: 315-768-4855 Fax: 315-768-4941
sales@riverhawk.com <http://www.riverhawk.com>